

ATLAS

Material Handler 520MH



53 - 57 t



183 kW (248 hp)



18.1 - 21.9 m



FAST. RELIABLE. VERSATILE.

520MH

Technical Information

ENGINE

Power according to ISO 9249...183kW (248 hp)	Cylinder capacity7100 cm ³	Air filterDry air filter
RPM2000/min	Number of cylinders.....6	Battery 2x 12V / 143Ah
Make.....Deutz TCD 2013 L06 2V	Borehole/lift.....101/126	Alternator24 V / 55Ah
Design.....Turbocharger/ intercooler	Cooling system.....Water-cooled	Starter.....24V / 4,8kW

HYDRAULIC SYSTEM

<ul style="list-style-type: none"> • AWE 5 system (load sensing) • 2 Load limit controlled high-performance piston pumps • Fuel efficient flow-on-demand control 	<ul style="list-style-type: none"> • Suction valves for all work functions • Load-retaining and fine-drop valve in lifting circuit • Pipe break protection valves for lifting cylinders • Grab and grab-rotating function • 2 additional circuits for additional consumer loads possible 	<ul style="list-style-type: none"> • Overload warning device • Max. oil flow2 x 380 l/min • Max. operating pressure.....360 bar • Operating modes: 3 pre-programmed modes (Fine, Eco, Power)
<ul style="list-style-type: none"> • Sensitive, proportional, independent control • Primary and secondary protection against overload 		

SWING ASSEMBLY

<ul style="list-style-type: none"> • Swing motor • Swing gear: • Swing brake: 	<ul style="list-style-type: none"> • Axial piston motor with priority valve • Planetary transmission • Automatic multidisc brake 	<ul style="list-style-type: none"> • Max. swing speed.....5.2/min • Swing torque164kNm
--	---	--

TRACTION DRIVE AND BRAKES

<ul style="list-style-type: none"> • Variable displacement motor • Power-shift transmission • Double-acting brake valve • Driving direction pre-selection via switch in joystick 	<ul style="list-style-type: none"> • Automotive drive and cruise control • Maximum speed16 km/h • Terrain speed.....5 km/h • Crawling speed1km/h 	<ul style="list-style-type: none"> • Dual circuit brake systemdrum brake • Parking brakespring-loaded brake
--	--	---

UNDERCARRIAGE

<ul style="list-style-type: none"> • 70 t special excavator axles 	<ul style="list-style-type: none"> • Steering axle with automatic oscillating axle locking 	<ul style="list-style-type: none"> • 8 tyres Solid rubber tyres.....12.00 - 24
--	---	---

FILL CAPACITIES

<ul style="list-style-type: none"> • Fuel tank..... 920 Liter • Cooling system 53 Liter 	<ul style="list-style-type: none"> • Engine oil..... 21 Liter • Hydraulic tank 720 Liter 	<ul style="list-style-type: none"> • Hydraulics system1400 litres
---	--	--

DRIVER'S CAB

<ul style="list-style-type: none"> • Extra-wide entrance • Meets latest safety standards • Spacious leg room 	<p>CONTROL:</p> <ul style="list-style-type: none"> • Ergonomic joysticks • Steering via potentiometer • Indicators, controls and operating switches are clearly arranged 	<p>CLIMATE CONTROL:</p> <ul style="list-style-type: none"> • Air conditioning equipped as standard • Very good air distribution through optimally arranged nozzles
<ul style="list-style-type: none"> • Excellent circumferential visibility • Preparation for radio installation with mute function • Vario cab can be driven 3 m high and 2.5 m forwards 	<p>MONITORING:</p> <ul style="list-style-type: none"> • Operating data display screen • Automatic system for monitoring, warning and storage of data 	<p>SOUND LEVELS:</p> <ul style="list-style-type: none"> • ISO6396 (L_{pA}) in driver's cab70 dB(A) • 2000/14EG (L_{wA}) ambience level.....105 dB(A)
<p>DRIVER'S SEAT:</p> <ul style="list-style-type: none"> • Air-cushioned comfort seat (optional seat heating) • Arm rests and lumbar support • Seat adjustable separately from console 		

Equipment

OPERATINGWEIGHTS

	LOADING BOOM 9.80 m (C94.5i)	LOADING BOOM 12.10 m (C94.6i) / (C94.16iD)
	Stick 7.50 m (D94.15i)	Stick 9.24 m (D94.16i)
4 outriggers	53 t	54 t
1 m pylon	55 t	56 t
2 m pylon	56 t	57 t

Operating weight with driver, solid rubber tyres, completely filled implement and 1.5 t for attachments

EQUIPMENT

BASIC DEVICE ATLAS 520MH

- Material Handler 520MH with quadruple outriggers and 2 lifting cylinders (A 94.32)

Hydraulics:

- Grab and grab-rotating function
- Accumulator for emergency lowering of the arm system
- Pipe-break protection valves for lifting cylinders
- Overload warning device
- Cylinder end-position damping

- Rear view security camera with 5 inch LCD-colour monitor
- Seat can be adjusted separately from console

Booms:

- Loading boom 9.80 m (C94.5i)
- Loading boom 12.10 m (C94.6i)
- Loading boom 12.10 m (Banana) (C94.6iD)

- Ready for electric cooling box
- Different options for storage, compartment for documents
- Bottle holder
- Rear view security camera with 5" LCD colour monitor
- Vario cab can be driven 3m high and 2.5 m forwards

Sticks:

- Stick 7.50 m (D 94.15i) für (C94.15i)
- Stick 9.24 m (D 94.16i) für (C94.16i/ C94.16iD)

Cab:

- Air conditioning
- Preparation for radio installation with mute function
- Steering via potentiometer
- Seat adjustable separately from console
- Heat-insulating glass, tinted windows
- Automotive driving and cruise control
- Operating data display screen

Equipment:

- Combined lubricating points for swing bearing and arm equipment

STANDARD EQUIPMENTG:

Engine:

- Automatic idle
- Diesel pre-filter
- Engine monitoring

Undercarriage:

- Tool box in the undercarriage

ADDITIONAL EQUIPMENT

Engine:

- Refueling pump
- Engine speed adjustment via potentiometer
- Auxiliary heating
- Cold start assistance

Cab:

- Cab protection guard
- Beacon light
- Heated driver's seat
- Radio/CD/MP3, front AUX in, USB
- Cab elevation
- GPS/GSM Telemetriebox, for monitoring of operating data, fuel consumption, location
- Head rest
- Working lights, Xenon-version
- Electric cooling box

Other special equipment: See price list

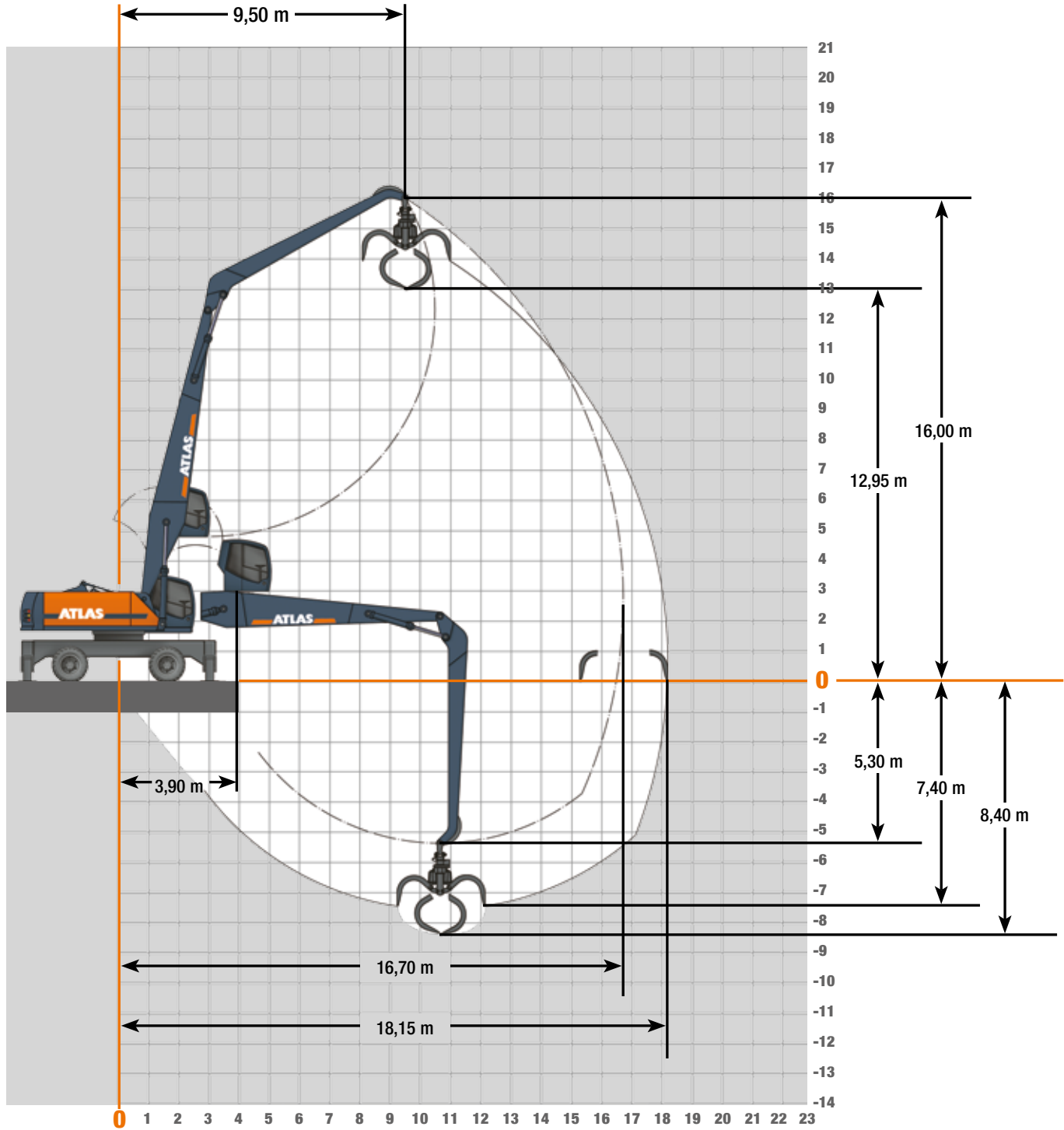
Hydraulics:

- Hydraulic kit, to operate front and rear supports separately
- Hydr. adaptor kit, switch supports individually
- Bio oil

ATTACHMENTS

- Clamshell grab
- Load hook
- Log grab
- Orange peel grab
- Load lifting magnet

Work Areas Loading boom 9.80 m (C94.5i) with Stick 7.50 m (D94.15i)



Lifting Capacities Loading boom 9.80 m (C94.5i) and Stick 7.50 m (D94.15i)

Lifting Capacities Loading boom 9,80 m (C94.5i) with Stick 7,50 m (D 94.15i). Max. reach 16,70 m

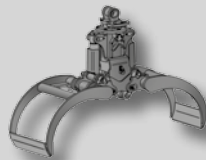
HEIGHT		6,0 m		7,5 m		9,0 m		10,5 m		12,0 m		13,5 m		15,0 m		16,5 m		18,0 m		19,5 m		
		FRONT	LATERAL	FRONT	LATERAL	FRONT	LATERAL	FRONT	LATERAL	FRONT	LATERAL	FRONT	LATERAL	FRONT	LATERAL	FRONT	LATERAL	FRONT	LATERAL	FRONT	LATERAL	
18,0 m	outriggers down																					
	outriggers up																					
16,5 m	outriggers down																					
	outriggers up																					
15,0 m	outriggers down								8,5*	8,5*												
	outriggers up								8,5*	6,9												
13,5 m	outriggers down								8,2*	8,2*	7,8*	7,8*										
	outriggers up								8,2*	7,1	7,0	5,6										
12,0 m	outriggers down								8,2*	8,2*	7,7*	7,3*	7,3*									
	outriggers up								8,2*	7,1	7,0	5,6	5,7	4,5								
10,5 m	outriggers down								8,3*	8,3*	7,8*	7,8*	7,3*	7,3*								
	outriggers up								8,3*	7,0	7,0	5,6	5,7	4,5								
9,0 m	outriggers down								8,6*	8,6*	8,0*	8,0*	7,4*	7,4*	7,0*	7,0*						
	outriggers up								8,6	6,9	6,9	5,5	5,6	4,4	4,7	3,6						
7,5 m	outriggers down					10,1*	10,1*	9,0*	9,1*	8,3*	8,3*	7,6*	7,6*	7,1*	7,1*							
	outriggers up					10,1*	8,5	8,4	6,6	6,7	5,3	5,5	4,3	4,6	3,6							
6,0 m	outriggers down			12,7*	12,7*	10,9*	10,9*	9,6*	9,6*	8,6*	8,6*	7,8*	7,8*	7,2*	7,2*							
	outriggers up			12,7*	10,6	10,2	8,0	8,1	6,3	6,5	5,1	5,4	4,2	4,5	3,5							
4,5 m	outriggers down	18,0*	18,0*	14,2*	14,2*	11,8*	11,8*	10,2*	10,2*	9,0*	9,0*	8,1*	8,1*	7,4*	7,4*							
	outriggers up	17,5	13,3	12,6	9,780	9,7	7,5	7,7	6,0	6,3	4,9	5,2	4,0	4,4	3,4							
3,0 m	outriggers down	15,3*	15,3*	15,6*	15,6*	12,7*	12,7*	10,7*	10,7*	9,4*	9,4*	8,3*	8,3*	7,5*	7,5*	6,7*	6,7*					
	outriggers up	15,3*	11,9	11,7	9,0	9,1	7,0	7,4	5,7	6,0	4,7	5,1	3,9	4,3	3,3	3,7	2,8					
1,5 m	outriggers down	5,5*	5,5*	16,6*	16,6*	13,3*	13,3*	11,2*	11,2*	9,6*	9,6*	8,5*	8,5*	7,5*	7,5*							
	outriggers up	5,5*	5,5*	11,0	8,3	8,6	6,6	7,0	5,4	5,8	4,4	4,9	3,7	4,2	3,2							
0 m	outriggers down	4,7*	4,7*	13,5*	13,5*	13,7*	13,7*	11,4*	11,4*	9,8*	9,8*	8,6*	8,6*	7,5*	7,5*							
	outriggers up	4,7*	4,7*	10,5	7,8	8,3	6,2	6,8	5,1	5,6	4,3	4,8	3,6	4,1	3,1							
-1,5 m	outriggers down	5,2*	5,2*	11,3*	11,3*	13,7*	13,7*	11,5*	11,5*	9,8*	9,8*	8,5*	8,5*	7,4*	7,4*							
	outriggers up	5,2*	5,2*	10,2	7,5	8,0	6,0	6,6	4,9	5,5	4,1	4,7	3,5	4,1	3,0							
-3,0 m	outriggers down	6,2*	6,2*	11,3*	11,3*	13,4*	13,4*	11,2*	11,2*	9,5*	9,5*	8,2*	8,2*	7,0*	7,0*							
	outriggers up	6,2*	6,2*	10,0	7,4	7,9	5,9	6,5	4,8	5,4	4,1	4,7	3,5	4,1	3,0							
-4,5 m	outriggers down					12,6*	12,6*	10,6*	10,6*	9,0*	9,0*	7,6*	7,6*									
	outriggers up					7,9	5,9	6,443	4,8	5,4	4,0	4,7	3,5									
-6,0 m	outriggers down																					
	outriggers up																					

The specified max. loading capacities in tonnes include a stability of 33% or are calculated at 87% of the hydraulic lifting power, as per ISO10567. These values are applicable at the tip of the arm with optimum positioning of the corresponding arm system. * Value limited due to hydraulics. Weights of attached load carrying accessories (grab, magnet, load hook, etc.) are not included with the load carrying values.

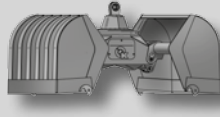
Attachments



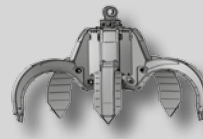
Load hook



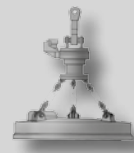
Log grab



Clamshell grab

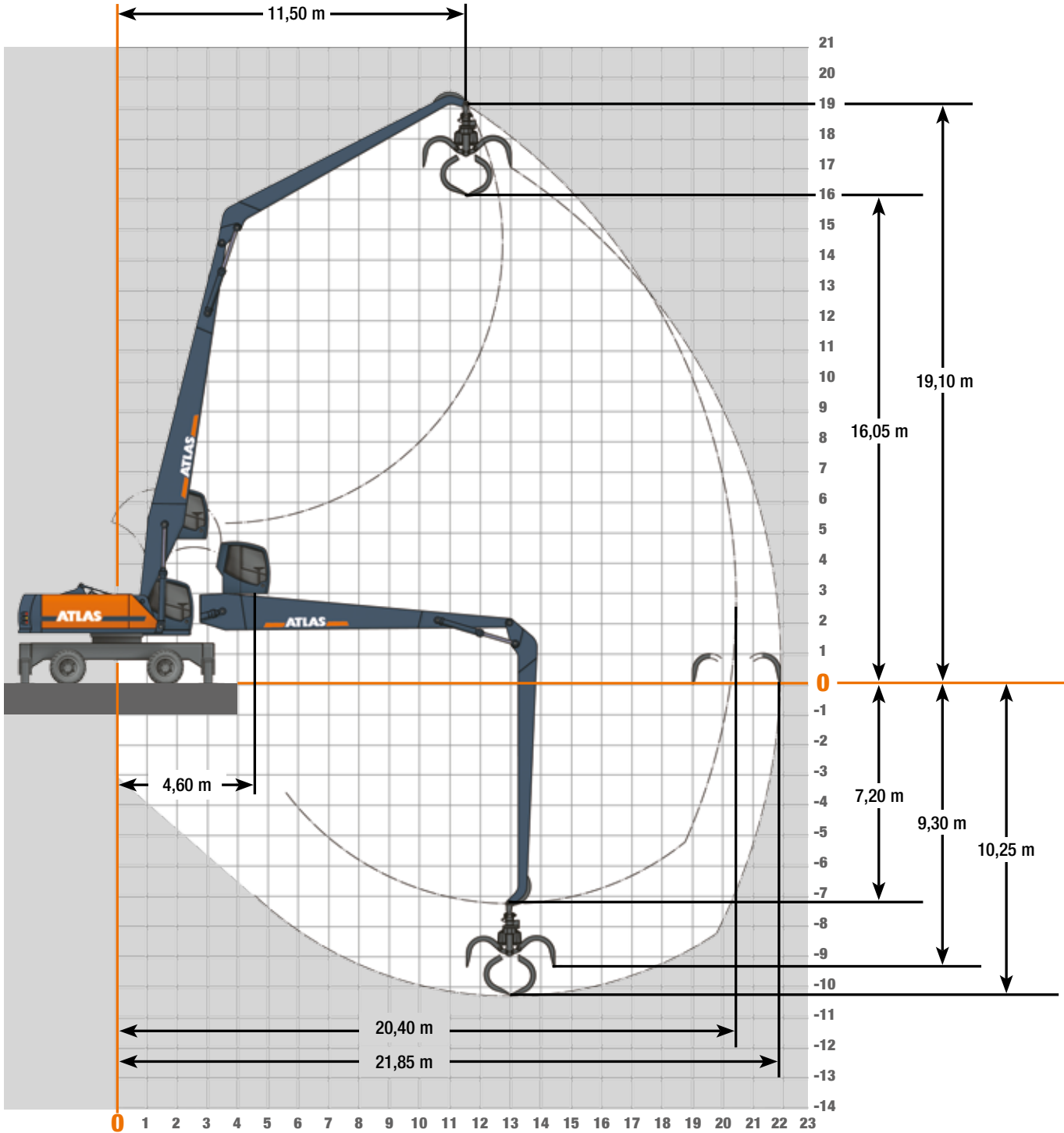


Orange peel grab



Load lifting magnet

Work Areas Loading boom 12.10 m (C94.6i) with Stick 9.24 m (D94.16i)



Lifting Capacities Loading boom 12.10 m (C94.6i) with Stick 9.24 m (D94.16i)

Lifting Capacities Loading boom 12,10 m (C94.6i) with Stick 9,24 m (D 94.16i). Max. reach 21,85 m

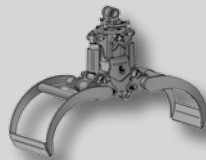
HEIGHT		6,0 m		7,5 m		9,0 m		10,5 m		12,0 m		13,5 m		15,0 m		16,5 m		18,0 m		19,5 m	
		FRONT	LATERAL	FRONT	LATERAL	FRONT	LATERAL	FRONT	LATERAL	FRONT	LATERAL	FRONT	LATERAL	FRONT	LATERAL	FRONT	LATERAL	FRONT	LATERAL	FRONT	LATERAL
18,0 m	outriggers down																				
	outriggers up																				
16,5 m	outriggers down											5,7*	5,7*								
	outriggers up											5,7*	4,6								
15,0 m	outriggers down											5,7*	5,7*	5,3*	5,3*						
	outriggers up											5,7*	4,6	4,8	3,7						
13,5 m	outriggers down											5,7*	5,7*	5,3v	5,3*	5,0*	5,0*				
	outriggers up											5,7*	4,6	4,8	3,7	3,9	2,9				
12,0 m	outriggers down											5,7*	5,7*	5,3*	5,3*	5,0*	5,0*				
	outriggers up											5,7*	4,6	4,7	3,7	3,9	2,9				
10,5 m	outriggers down									6,4*	6,4*	5,9*	5,9*	5,4*	5,4*	5,1*	5,1*	4,7*	4,7*		
	outriggers up									6,4*	5,6	5,7	4,5	4,7	3,6	3,8	2,9	3,1	2,3		
9,0 m	outriggers down									6,7*	6,7*	6,1*	6,1*	5,6*	5,6*	5,1*	5,1*	4,8*	4,8*		
	outriggers up									6,7*	5,3	5,5	4,3	4,5	3,5	3,7	2,8	3,1	2,2		
7,5 m	outriggers down							7,8*	7,8*	7,0*	7,0*	6,3*	6,3*	5,7*	5,7*	5,2*	5,2*	4,8*	4,8*	4,5*	4,5*
	outriggers up							7,8*	6,4	6,5	5,1	5,3	4,1	4,4	3,3	3,6	2,7	3,0	2,2	2,5	1,7
6,0 m	outriggers down			11,7*	11,7*	9,7*	9,7*	8,3*	8,3*	7,3*	7,3*	6,5*	6,5*	5,9*	5,9*	5,3*	5,3*	4,9*	4,9*	4,5*	4,5*
	outriggers up			11,7*	10,0	9,7*	7,6	7,6	5,9	6,2	4,7	5,0	3,8	4,2	3,1	3,5	2,5	2,9	2,1	2,4	1,7
4,5 m	outriggers down	16,9*	16,9*	12,9*	12,9*	10,4*	10,4*	8,8*	8,8*	7,6*	7,6*	6,7*	6,7*	6,0*	6,0*	5,5*	5,5*	5,0*	5,0*	4,6*	4,6*
	outriggers up	16,0	12,0	11,7	8,8	8,9	6,8	7,1	5,4	5,8	4,4	4,8	3,6	4,0	2,9	3,3	2,4	2,8	2,0	2,4	1,6
3,0 m	outriggers down	1,9*	1,9*	13,9*	13,9*	11,1*	11,1*	9,3*	9,3*	7,9*	7,9*	7,0*	7,0*	6,2*	6,2*	5,6*	5,6*	5,0*	5,0*	4,6*	4,6*
	outriggers up	1,9*	1,9*	10,4	7,7	8,2	6,1	6,6	4,9	5,4	4,0	4,5	3,3	3,8	2,7	3,2	2,3	2,7	1,9	2,3	1,5
1,5 m	outriggers down			5,7*	5,7*	11,6*	11,6*	9,6*	9,6*	8,2*	8,2*	7,2*	7,1*	6,3*	6,3*	5,6*	5,6*	5,1*	5,1*	4,6*	4,6*
	outriggers up			5,7*	5,7*	7,5	5,4	6,1	4,4	5,1	3,7	4,2	3,1	3,6	2,5	3,1	2,1	2,6	1,8	2,2	1,5
0 m	outriggers down			4,1*	4,1*	11,6*	11,6*	9,8*	9,8*	8,4*	8,4*	7,2*	7,2*	6,4*	6,4*	5,7*	5,7*	5,1*	5,1*	4,5*	4,5*
	outriggers up			4,1*	4,1*	7,0	4,9	5,7	4,1	4,8	3,4	4,0	2,8	3,4	2,4	2,9	2,0	2,5	1,7	2,2	1,4
-1,5 m	outriggers down			4,0*	4,0*	8,9*	8,9*	9,9*	9,9*	8,4*	8,4*	7,3*	7,3*	6,4*	6,4*	5,6*	5,6*	5,0*	5,0*	4,4*	4,4*
	outriggers up			4,0*	4,0*	6,6	4,6	5,4	3,8	4,5	3,2	3,8	2,7	3,3	2,2	2,8	1,9	2,4	1,6	2,1	1,4
-3,0 m	outriggers down			4,4*	4,4*	8,3*	8,3*	9,8*	9,8*	8,3*	8,3*	7,2*	7,2*	6,3*	6,3*	5,5*	5,5*	4,8*	4,8*		
	outriggers up			4,4*	4,4*	6,4	4,4	5,2	3,6	4,4	3,0	3,7	2,5	3,2	2,2	2,8	1,8	2,4	1,6		
-4,5 m	outriggers down			5,0*	5,0*	8,4*	8,5*	9,4*	9,4*	8,1*	8,1*	6,7*	7,0*	6,1*	6,1*	5,3*	5,3*	4,6*	4,6*		
	outriggers up			5,0*	5,0*	6,3	4,3	5,1	3,5	4,3	2,9	3,4	2,5	3,2	2,1	2,7	1,8	2,4	1,6		
-6,0 m	outriggers down					9,0*	9,0*	8,9*	8,9*	7,7*	7,7*	6,6*	6,6*	5,7*	5,7*	5,0*	5,0*				
	outriggers up					6,3	4,4	5,1	3,5	4,3	2,9	3,6	2,4	3,1	2,1	2,7	1,8				

The specified max. loading capacities in tonnes include a stability of 33% or are calculated at 87% of the hydraulic lifting power, as per ISO10567. These values are applicable at the tip of the arm with optimum positioning of the corresponding arm system. * Value limited due to hydraulics. Weights of attached load carrying accessories (grab, magnet, load hook, etc.) are not included with the load carrying values.

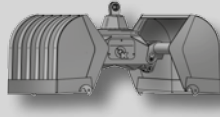
Attachments



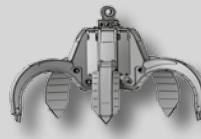
Load hook



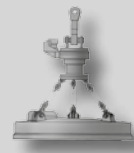
Log grab



Clamshell grab



Orange peel grab



Load lifting magnet

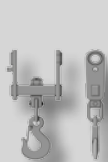
Lifting Capacities Loading boom 12.10 m (C94.6iD) with Stick 9.24 m (D94.16i)

Lifting Capacities Loading boom 12,10 m (C94.6iD) with Stick 9,24 m (D 94.16i). Max. reach 21,53 m

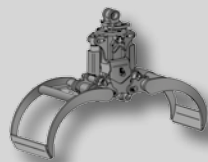
HEIGHT		6,0 m		7,5 m		9,0 m		10,5 m		12,0 m		13,5 m		15,0 m		16,5 m		18,0 m		19,5 m	
		FRONT	LATERAL	FRONT	LATERAL	FRONT	LATERAL	FRONT	LATERAL	FRONT	LATERAL	FRONT	LATERAL	FRONT	LATERAL	FRONT	LATERAL	FRONT	LATERAL	FRONT	LATERAL
18,0 m	outriggers down																				
	outriggers up																				
16,5 m	outriggers down																3,8*	3,8*			
	outriggers up																3,8	3,1			
15,0 m	outriggers down																3,8*	3,8*			
	outriggers up																3,8	3,1			
13,5 m	outriggers down																3,9*	3,9*	3,8*	3,8*	
	outriggers up																3,9	3,0	3,3	2,4	
12,0 m	outriggers down														4,2*	4,2*	4,4*	4,4*	3,9*	3,9*	
	outriggers up														4,2*	3,6	3,9	2,9	3,2	2,4	
10,5 m	outriggers down														4,4*	4,4*	4,2*	4,2*	4,0*	4,0*	
	outriggers up														4,4*	3,5	3,8	2,8	3,1	2,3	
9,0 m	outriggers down									5,6*	5,6*	5,1*	5,1*	4,7*	4,7*	4,4*	4,4*	4,1*	4,1*	3,9*	3,9*
	outriggers up									5,6*	5,0	5,1*	4,0	4,3	3,3	3,6	2,7	3,0	2,2	2,5	1,8
7,5 m	outriggers down					8,1*	8,1*	6,9*	6,9*	6,0*	6,0*	5,4*	5,4*	4,9*	4,9*	4,6*	4,6*	4,3*	4,3*	4,0*	4,0*
	outriggers up					8,1*	7,1	6,9*	5,7	6,0	4,6	5,0	3,8	4,1	3,1	3,5	2,5	3,0	2,1	2,5	1,7
6,0 m	outriggers down	2,4*	2,4*	11,4*	11,4*	9,1*	9,1*	7,6*	7,6*	6,5*	6,5*	5,8*	5,8*	5,2*	5,2*	4,8*	4,8*	4,4*	4,4*	4,1*	4,1*
	outriggers up	2,4*	2,4*	10,8	8,0	8,5	6,4	6,8	5,1	5,6	4,2	4,7	3,5	3,9	2,9	3,3	2,4	2,8	2,0	2,4	1,6
4,5 m	outriggers down			6,1*	6,1*	9,9*	9,9*	8,2*	8,2*	7,0*	7,0*	6,1*	6,1*	5,5*	5,5*	5,0*	5,0*	4,6*	4,6*	4,2*	4,2*
	outriggers up			6,1*	6,1*	7,7	5,7	6,3	4,6	5,2	3,8	4,4	3,2	3,7	2,7	3,2	2,2	2,7	1,9	2,3	1,5
3,0 m	outriggers down			4,4*	4,4*	10,6*	10,6*	8,7*	8,7*	7,4*	7,4*	6,4*	6,4*	5,7*	5,7*	5,2*	5,2*	4,7*	4,7*	4,3*	4,3*
	outriggers up			4,4*	4,4*	7,2	5,1	5,9	4,2	4,9	3,5	4,1	3,0	3,5	2,5	3,0	2,1	2,6	1,7	2,2	1,5
1,5 m	outriggers down			4,2*	4,2*	9,2*	9,2*	9,1*	9,1*	7,7*	7,7*	6,7*	6,7*	6,0*	6,0*	5,3*	5,3*	4,8*	4,8*	4,4*	4,4*
	outriggers up			4,2*	4,2*	6,8	4,7	5,6	3,9	4,6	3,3	3,9	2,8	3,4	2,3	2,9	2,0	2,5	1,7	2,2	1,4
0 m	outriggers down			4,5*	4,5*	8,5*	8,5*	9,4*	9,4*	8,0*	8,0*	7,0*	6,9*	6,1*	6,1*	5,4*	5,4*	4,9*	4,9*	4,5*	4,5*
	outriggers up			4,5*	4,5*	6,5	4,5	5,3	3,7	4,5	3,1	3,8	2,6	3,2	2,2	2,8	1,9	2,4	1,6		
-1,5 m	outriggers down			5,1*	5,1*	8,6*	8,6*	9,6*	9,6*	8,1*	8,1*	7,0*	7,0*	6,2*	6,2*	5,5*	5,5*	5,0*	4,9*		
	outriggers up			5,1*	5,1*	6,4	4,4	5,2	3,6	4,3	3,0	3,7	2,5	3,2	2,1	2,7	1,8	2,4	1,6		
-3,0 m	outriggers down			5,6*	5,9*	9,1*	9,1*	9,6*	9,6*	8,2*	8,2*	7,1*	7,1*	6,2*	6,2*	5,5*	5,5*				
	outriggers up			5,6*	5,6	6,3	4,3	5,1	3,5	4,3	2,9	3,6	2,4	3,1	2,1	2,7	1,8				
-4,5 m	outriggers down			6,7*	6,7*	9,9*	9,9*	9,5*	9,5*	8,1*	8,1*	7,0*	7,0*	6,1*	6,1*	5,3*	5,3*				
	outriggers up			6,7*	5,7	6,4	4,4	5,1	3,5	4,3	2,9	3,6	2,4	3,2	2,1	2,7	1,8				
-6,0 m	outriggers down					10,8*	10,8*	9,1*	9,1*	7,8*	7,8*	6,7*	6,7*	5,8*	5,8*						
	outriggers up					6,5	4,5	5,2	3,6	4,3	3,0	3,7	2,5	3,2	2,1						

The specified max. loading capacities in tonnes include a stability of 33% or are calculated at 87% of the hydraulic lifting power, as per ISO10567. These values are applicable at the tip of the arm with optimum positioning of the corresponding arm system. * Value limited due to hydraulics. Weights of attached load carrying accessories (grab, magnet, load hook, etc.) are not included with the load carrying values.

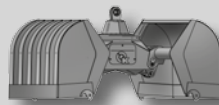
Attachments



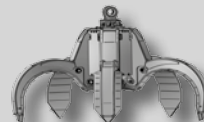
Load hook



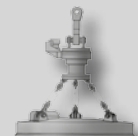
Log grab



Clamshell grab

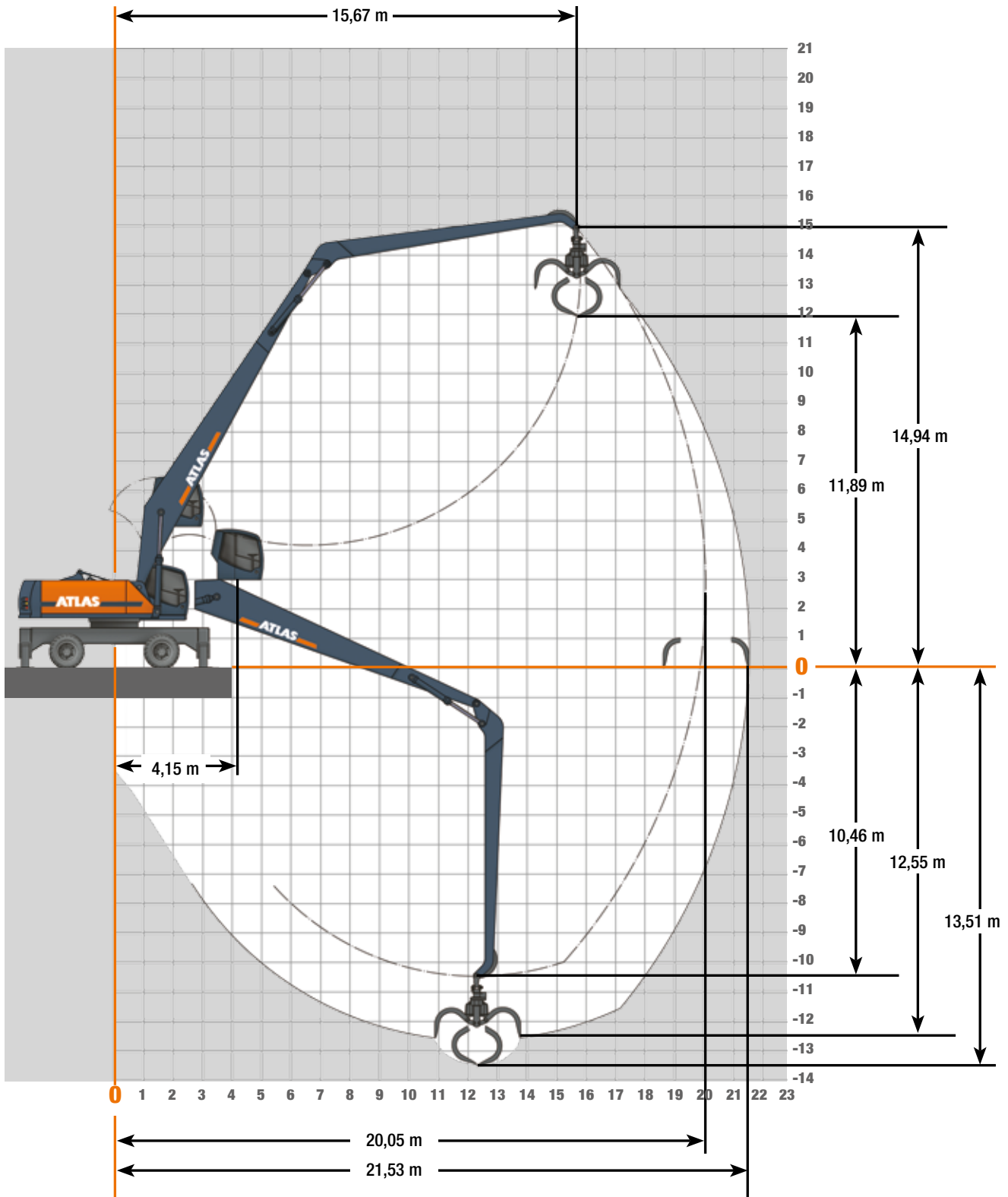


Orange peel grab

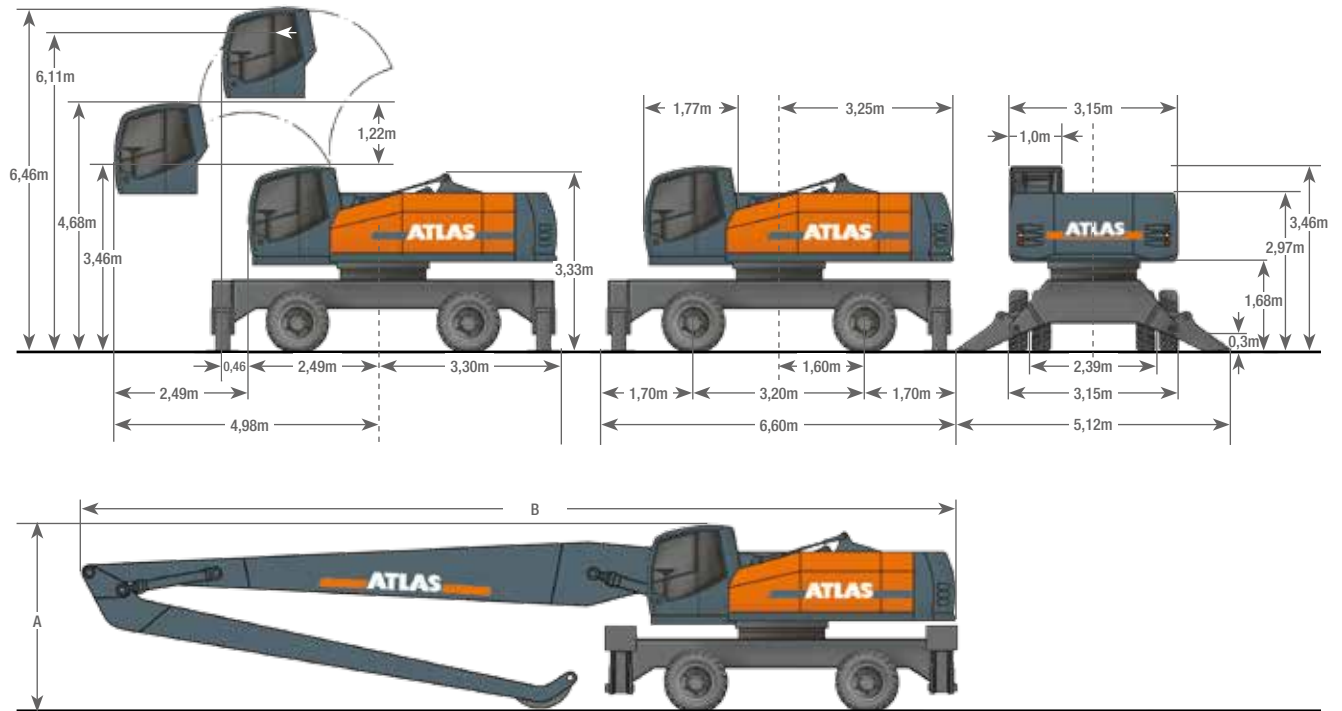


Load lifting magnet

Work Areas Loading boom 12.10 m (C94.6iD) with Stick 9.24 m (D94.16i)



Dimensions



A TRANSPORT HEIGHT	B TRANSPORT LENGTH
Loading boom 9,80 m (C94.5i) with Stick 7,50 m (D94.15i).....3,46 m	Loading boom 9,80 m (C94.5i) with Stick 7,50 m D94.15i).....14,10 m
Loading boom 12,10 m (C94.6i) with Stick 9,24 m (D94.16i).....3,46 m	Loading boom 12,10 m (C94.6i) with Stick 9,24 m (D94.16i).....16,40 m
Loading boom 12,10 m (C94.6id) with Stick 9,24 m (D94.16i).....3,47 m	Loading boom 12,10 m (C94.6id) with Stick 9,24 m D94.16i)..... 16,23 m

www.atlasgmbh.com

ATLAS Maschinen GmbH
 EXCAVATORS
 Atlasstrasse 6
 27777 Ganderkesee, Germany
 T: +49 (0) 4222 954 0
 F: +49 (0) 4222 954 343
 info@atlasgmbh.com

520MH-EN (1) Effective date: August 2010. Product specifications and prices are subject to change without notice or obligation. The photographs and/or drawings in this document are for illustrative purposes only. Refer to the appropriate Operator's Manual for instructions on the proper use of this equipment. Failure to follow the appropriate Operator's Manual when using our equipment or to otherwise act irresponsibly may result in serious injury or death. The only warranty applicable to our equipment is the standard written warranty applicable to the particular product and sale and Atlas makes no other warranty, express or implied. The only warranty applicable to our equipment is the standard written warranty applicable to the particular product and sale and Atlas makes no other warranty, express or implied. Products and services listed may be trademarks, service marks or trade-names of Atlas Maschinen GmbH and/or its subsidiaries. All rights are reserved. Atlas® is a registered trademark of Atlas Maschinen GmbH. Copyright © 2010 Atlas Maschinen GmbH.