

ATLAS

Crawler excavator 340LC

Technical Information

Engine

Power rating according to ISO 9249	180 kW (245 PS)
Make/ Model	Deutz TCD 6.1 L6 (Stage 3B)
RPM	1800/min
Design	Turbocharger/Charge Air cooling
Displacement	7100 cm ³
Cooling system	water cooled

Hydraulics

Computer controlled AWE4 system with two adjustable high-performance piston pumps and fuel efficient power control for sensitive, proportional and load-independent control of all operating movements. Primary and secondary protection of the hydraulic unit against overloading. Suction valve for all operating functions like throttling in lifting system. Load retaining - and fine lowering valves in Lifting circuit

Hydraulic system	2 x AKP
Main pump	HPR 160 / 160
Output max.	320 / 320 l/min
Operating pressure max.	320 / 380 bar

Standard Basic Equipment

Central lubrication device for swing assembly and boom (Electric pump), two-stage tractive drives, tank data, main circuit breaker of the battery in negative cable, automatic idling system (Diesel motor), pressure control (lifting cylinder), pressure accumulator for emergency arm lowering, window wash device, comfortable seats with arm rests, lumbar support, tool box in uppercarriage. Sliding window in the cabin's door, ready for radio connection and combined lubricating points. Grab/ grab rotating function (NW 16).

Noise level

2000/14EG (L _w A) ambience level	103 dB (A)
ISO 6396 (L _p A) in driver's cab	70 dB (A)

Electrical data

Operating voltage	24 Volt
Cold start-/heavy duty battery	2 x 143 Ah

Control

Joystick control with perfectly adjusted response and sensitivity. (SAE recommendation). manual lever control for forward-, backward-, curve drive and rear drive of the chain. Foot pedal for forward and backward drive. Option "Drive" on the foot pedal valve cradle (ISO-Steering).

Filling quantities

Fuel tank	425 l
Hydraulic tank	505 l
Motor oil	21 l



Cabin

• Meets latest safety standards • Extra large entry zone • Spacious leg room • Excellent circumferential visibility • Preparation for radio installation with mute function **DRIVER'S SEAT:** • Air-cushioned comfort seat (optional seat heating) • Arm rests and lumbar support • Seat adjustable separately from console **CONTROL:** • Ergonomic joysticks with proportional slide control • Indicators, controls and operating switches are clearly arranged. **CLIMATE CONTROL:** • Air conditioning equipped as standard.

Type	Atlas Comfort Cabin 935
Total length	1760 mm
Width	935 mm

Slewing gear

Swing motor	Axial piston motor with priority valve
Swing gear	Planetary transmission
Swing brake*	Multidisc brake
Drive on internal clogged slewing ring	
Superstructure max. RPM	8,7/min
Swing torque	93,4 kNm
* easy swing on slopes, with lockable foot pedal, exceeding pressures of 120 bars.	

Speed

Stage 1	max. 0-2,6 km/h
Stage 2	max. 0-5,3 km/h

Undercarriage

Complete heavy duty undercarriage in X-design. Crawler unit with asymmetric roof profile and integrated traction drive with planetary transmission. Automatic hydraulic controlled brakes and brake valve. Track guided by rollers and idler unit. Chain tensioner through greasing cylinder, spring loaded. Lubricated sealed chain, drive quality D6C, track 2600 mm, 4800 mm long, 600 mm track chain.

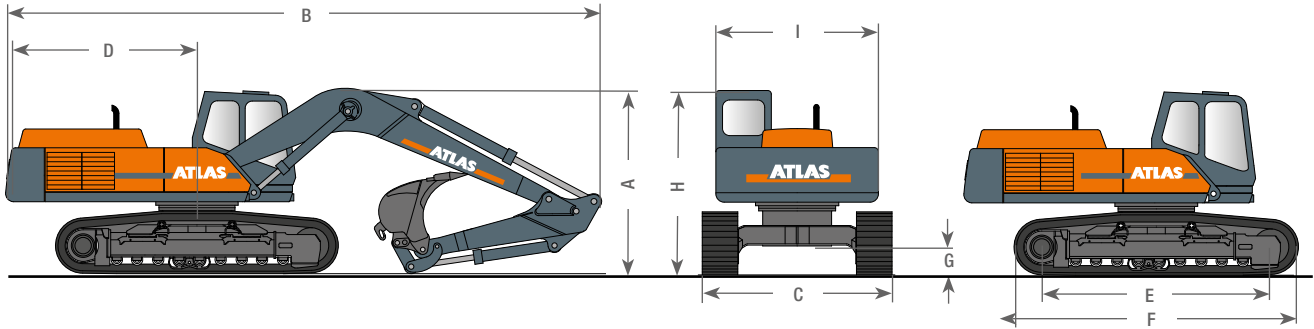
Weight

Operating weight	30,5 - 35,5 t
------------------	---------------

ATLAS

Main dimensions

340LC Transport position



A	TRANSPORT HEIGHT		B	TRANSPORT LENGTH	
	Monoblock, 5,57 m (C84.3M), 2,30 m (D84.2)	3,25 m		Monoblock, 5,57 m (C84.3M), 2,30 m (D84.2)	10,17 m
	Monoblock, 5,57 m (C84.3M), 2,80 m (D84.3)	3,30 m		Monoblock, 5,57 m (C84.3M), 2,80 m (D84.3)	10,19 m
	Monoblock, 6,50 m (C84.5M), 2,30 m (D84.2)	3,35 m		Monoblock, 6,50 m (C84.5M), 2,30 m (D84.2)	11,11 m
	Monoblock, 6,50 m (C84.5M), 2,80 m (D84.3)	3,45 m		Monoblock, 6,50 m (C84.5M), 2,80 m (D84.3)	11,12 m
C	TRANSPORT WIDTH WHEEL	TRACK 2,60 m	F	RANGE	4,82 m
	Base plate width 600 mm	3,20 m	G	GROUND CLEARANCE	0,46 m
D	REAR SWIVEL RADIUS	3,30 m	H	HEIGHT OVER CABIN	3,11 m
E	BEARING CHAIN LENGTH	3,89 m	I	SUPERSTRUCTURE WIDTH	2,74 m

Design changes reserved, data not binding. Devices comply with the new European safety regulations.

Equipment

Basic unit

A 84.81	Atlas hydraulic crawler excavator 340LC with continuous rotating uppercarriage, with Atlas-Cabine 935, air conditioner swing radius 3300 mm. Counterweight 6,4 t, 2,60 m track 600 mm chain.
----------------	--

Drive option

4562416	LC-track chain undercarriage with 3400 mm track, length of all 4800 mm, D6C Quality
	For other drive options see price lists.

Additional and special designs

B 84.81	Pipe break protection valves for lifting cylinders
B 84.20	Special counter weight 8200 kg, swing radius 3400 mm

Boom variants

C 84.3 M	Monoblock boom with two lifting cylinders, one stick cylinder (length 5570 mm)
C 84.5 M	Monoblock boom with two lifting cylinders, one stick cylinder, bucket cylinder (length 6500 mm)
C 84.41	Base arm with one operating cylinder for C 84.46
C 84.46	Boom, with stick cylinder, suitable for base arm C 84.41 (length 5300 mm)
C 84.5 i	Monoblock boom for material handling with two lifting cylinders, with a length of 8700 mm (for crawler- excavator with 3400 mm track)

Other boom combinations Monoblock and material handling booms see price list.

Stick

D 84.2	Stick suitable for monoblock boom, (length 2300 mm)
D 84.3	Stick suitable for monoblock boom, (length 2800 mm)
D 84.5	Stick suitable for monoblock boom, (length 3500 mm)
D 84.31	Stick suitable for foldable boom, (length 3500 mm)
D 84.51	Stick suitable for foldable boom, (length 4500 mm)
D 84.55	Stick suitable for foldable boom, - F63.1 control lever required! (length 6400 mm)
D 84.16 i	Stick, suitable for Monoblock C 84.5 i und C 84.6 i (length 6900 mm)
D 84.17 i	Stick, suitable for Monoblock C 84.5 i and C 84.7 i (length 7750 mm)

Bucket tilt cylinder

F 84.1	Bucket tilt cylinder, with bucket linkage
F 63.1	Bucket tilt cylinder with bucket linkage for D 84.55

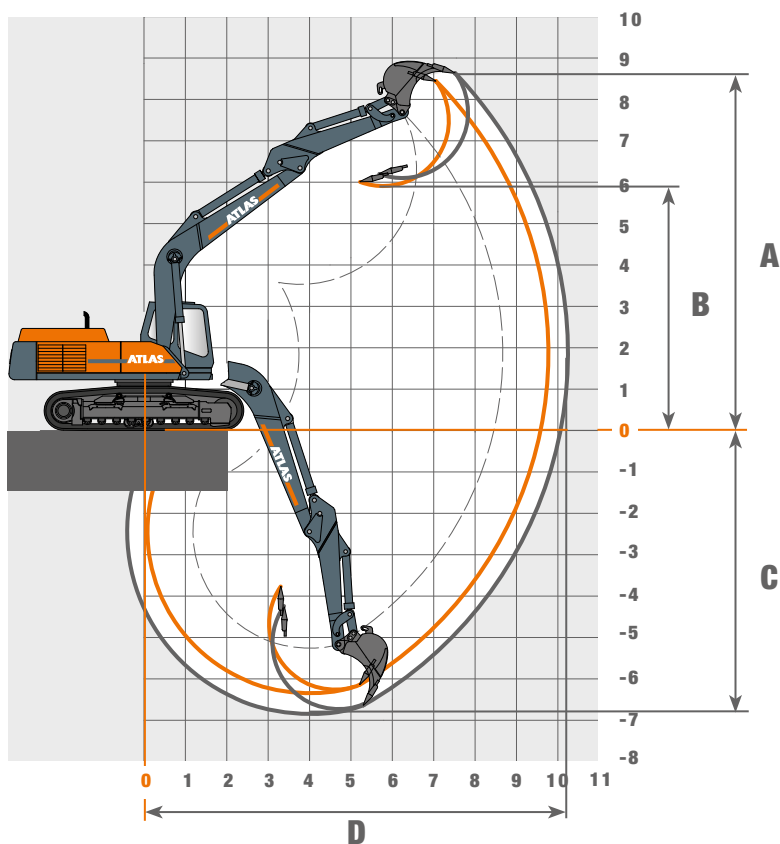
Attachments

		Capacity (SAE)	Cutting width
F 748	Bucket	1,26 m ³	1300 mm
F 718/HD	Bucket	1,50 m ³	1500 mm
G 83.86	Trenching bucket	1,60 m ³	2000 mm
E 851	Orange peel grab	0,80 m ³	half closed

Working ranges Monoblock boom

Equipment

C84.3 M, length 5570 mm



Stick D 84.2 - Length 2300 mm

Equipment: A 84.81, C 84.3 M, D 84.2, F 849

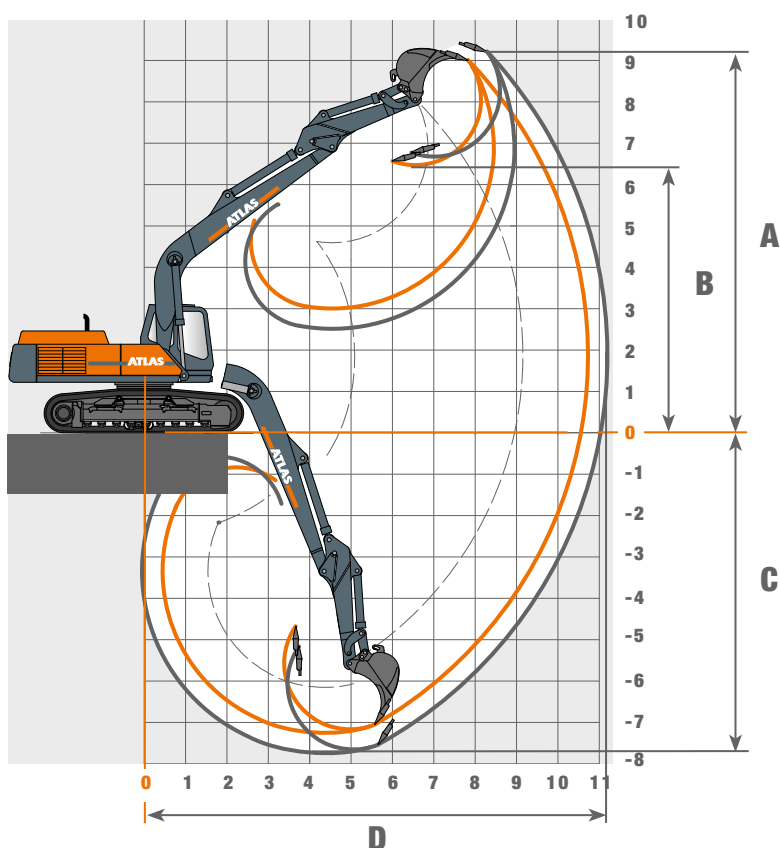
			Dipper
A	Max. lifting height	mm	8439
B	Max. dump height	mm	6150
C	Max. Digging depth	mm	6349
D	Max. reach	mm	9776
	Max. reach over ground level	mm	9626
	Breakout force	kN	175,7
	Tear-out force	kN	134

Stick D 84.3 - Length 2800 mm

Equipment: A 84.81, C 84.3 M, D 84.3, F 849

			Dipper
A	Max. lifting height	mm	8550
B	Max. dump height	mm	5950
C	Max. Digging depth	mm	6900
D	Max. reach	mm	10250
	Max. reach over ground level	mm	10100
	Breakout force	kN	175,7
	Tear-out force	kN	119

C84.5 M, length 6500 mm



Stick D 84.2 - Length 2300 mm

Equipment: A 84.81, C 84.5 M, D 84.2, F 849

			Dipper
A	Max. lifting height	mm	9010
B	Max. dump height	mm	6450
C	Max. Digging depth	mm	7245
D	Max. reach	mm	10730
	Max. reach over ground level	mm	10530
	Breakout force	kN	175,7
	Tear-out force	kN	134

Stick D 84.3 - Length 2800 mm

Equipment: A 84.81, C 84.5 M, D 84.3, F 849

			Dipper
A	Max. lifting height	mm	9210
B	Max. dump height	mm	
C	Max. Digging depth	mm	7774
D	Max. reach	mm	11200
	Max. reach over ground level	mm	11000
	Breakout force	kN	175,7
	Tear-out force	kN	119

