

ATLAS

Wheel Excavator 220W

STABLE. STRONG. STEADY.

220W



-  22,0 - 22,6 t
-  129 kW (175 hp)
-  0,75 - 1,3 m³



ENGINE

Power rating acc. to ISO 9249...129 kW (175 hp)	Displacement 6700 cm ³	Battery 2 x 12 V / 100 Ah
RPM 1800/min	Number of cylinders 6	Generator 24 V / 70 Ah
Make/model.....Cummins/QSB 6.7 (Stage 3B)	Cooling system water cooled	Starter 24 V / 3,2 kW
Desig.....Turbocharger/charge air cooling	Air filter dry air filter	

HYDRAULIC SYSTEM

• Load limit controlled high-performance piston pump	• Suction valve for all work functions	• Pipe break protection valves for lifting and articulated cylinders
• Dual circuit hydraulic system	• Load retaining and fine lowering valves in lifting circuit	• 2 additional circuits for more consumer loads possible
• Standard 7 consumer loads in one valve block	• Pump flow control	• Max. oil flow400 l/min
• Sensitive, proportional, independent control	• Proportional grab/grab rotating function	• Operating pressure max 340 (370)* bar
• Primary and secondary protection against overload	• Fuel efficient flow-on-demand control	• Operating modes: 3 preprogrammed modes (Fine, Eco, Power)

SWING ASSEMBLY

• Swing motor:	Axial piston motor with priority valve	• Max. swing speed 11/min
• Swing gear:	Planetary transmission	• Swing torque 63,2 kNm
• Swing brake:	Automatically controlled multi-disc brake	

TRACTION DRIVE AND BRAKES

• Variable displacement motor	• Automotive drive and cruise control	• Tractive force..... 91,8 kN
• Power shift gear	• Max. speed..... 20 km/h	• Gradeability max.55 %
• Double-acting brake valve	• Off-road speed..... 5 km/h	• Dual circuit brake.....multi-disc
• Travel direction pre-selection via switch in joystick	• Crawling speed.....1 km/h	• Parking brake.....multi-disc

UNDERCARRIAGE

• 40 ton special excavator axles	• 8 tires (twins) PR 16 10.00 - 20
• Steering axle with automatic oscillating axle locking	

FILL CAPACITIES

• Fuel tank 389 Liter	• Engine oil..... 20 Liter	• Hydraulic system.....290 Liter
• Cooling system 42 Liter	• Hydraulic tank..... 216 Liter	

DRIVER'S CAB

• Meets latest safety standards	CONTROL:	CLIMATE CONTROL:
• Extra large entry zone	• Ergonomic joysticks with proportional slide control	• Air conditioning equipped as standard
• Spacious leg room	• Slim, height- and angle adjustable steering column	• Excellent air distribution through optimally arranged nozzles
• Excellent circumferential visibility	• Indicators, controls and operating switches are clearly arranged	
• Preparation for radio installation with mute function		SOUND LEVELS:
DRIVER'S SEAT:	MONITORING:	• ISO 6396 (L _{pA}) in driver's cab.....74 dB(A)
• Air-cushioned comfort seat (optional seat heating)	• Operating data display screen	• 2000/14 EG (L _{WA}) ambience level..103dB(A)
• Arm rests and lumbar support	• Automatic system for monitoring, warning and storage of data	
• Seat adjustable separately from console		

OPERATING WEIGHTS

ADJUSTABLE BOOM

Base arm 1,95 m (C23.41), Boom 4,23 m (C25.46), Stick 2,65 m (D21.33)

Support and dozer blade/ outriggers

22,6 t

* Power boost switch Operating weights for road travel with a driver, completely filled and 1,0 t attachment

EQUIPMENT

BASIC UNIT ATLAS 220W		STANDARD BASIC EQUIPMENT:	
<ul style="list-style-type: none"> Wheel excavator 220W, support and dozer blade on rigid axle, 2x outrigger support on steering axle, 2 lifting cylinders (A23.33) 	Engine:	<ul style="list-style-type: none"> Automatic idling system Diesel prefilter Engine monitoring 	<ul style="list-style-type: none"> Seat can be adjusted separately from console Rear view security camera with 5 inch LCD-colour monitor Heat absorbing glass, tinted windows Automotive drive and cruise control
BOOM:			
<ul style="list-style-type: none"> Adjustable boom consisting of base arm 1,95 m (C23.41) with adjustable cylinder and boom 4,23 m (C25.46) with stick cylinder 			<ul style="list-style-type: none"> Operating data display screen Ready for electric cooling box
STICK:		Hydraulic system:	
<ul style="list-style-type: none"> Stick 2,65 m (D21.33) for adjustable boom 		<ul style="list-style-type: none"> Proportional grab and grab rotating function Accumulator for emergency lowering of boom system Pipe break protection valves for lifting and articulated cylinders 	<ul style="list-style-type: none"> Different options for storage, compartment for documents Bottle holder
BUCKET TIPPING CYLINDER:			SUPERSTRUCTURE:
<ul style="list-style-type: none"> Bucket tipping cylinder with bucket linkage (F25.1A) 		<ul style="list-style-type: none"> Max. load-limit control Cylinder end position damping 	<ul style="list-style-type: none"> Fold-away condenser Spacious and lockable storage space in superstructure
EQUIPMENT:		Cab:	UNDERCARRIAGE:
<ul style="list-style-type: none"> Joint bearings in stick and bucket cylinders Combined lubricating points for swing bearing and arm equipment 		<ul style="list-style-type: none"> Air conditioning Preparation for radio installation with mute function Slim, height and angle adjustable steering column 	<ul style="list-style-type: none"> Power shift transmission Wet disc brakes Toolbox in undercarriage

ADDITIONAL EQUIPMENT

Engine:	Equipment:	
<ul style="list-style-type: none"> Refueling pump Engine speed adjustment via potentiometer Auxiliary heating Cold start assistance 	<ul style="list-style-type: none"> Automatically controlled and monitored electric central lubrication system Second toolbox in undercarriage Transport cover of bucket from 1000mm to 1300mm Traction motor guard 	<ul style="list-style-type: none"> Alarm-signal while driving Beacon light GPS/GSM Telemetriebox, for monitoring of operating data, fuel consumption, location Radio/CD/MP3, front AUX in, USB Electric cooling box Working lights, Xenon-version Head rest Proportional control of supports by slide in joystick
Hydraulic system:	Cab:	
<ul style="list-style-type: none"> Hydraulic kit, to operate front and rear supports separately Hydraulic kit, to operate supports per axle separately Biodegradable oil 	<ul style="list-style-type: none"> Cab protection guard Heated driver's seat Cab elevation 	Further special equipment: see price list

ATTACHMENTS (SELECTION)

	Bucket F63.15	Bucket* F63.26	Bucket* F63.27	Bucket* F63.28	Bucket F63.29	Trench bucket F63.35
Capacity SAE	0,75 m ³	0,83 m ³	0,93 m ³	1,14 m ³	1,34 m ³	1,14 m ³
Cutting width	850 mm	1000 mm	1100 mm	1300 mm	1500 mm	1300 mm

* A German road authorization under §70 StVZO says only buckets from 1000 mm to 1300 mm cutting width are possible!

Lifting capacities

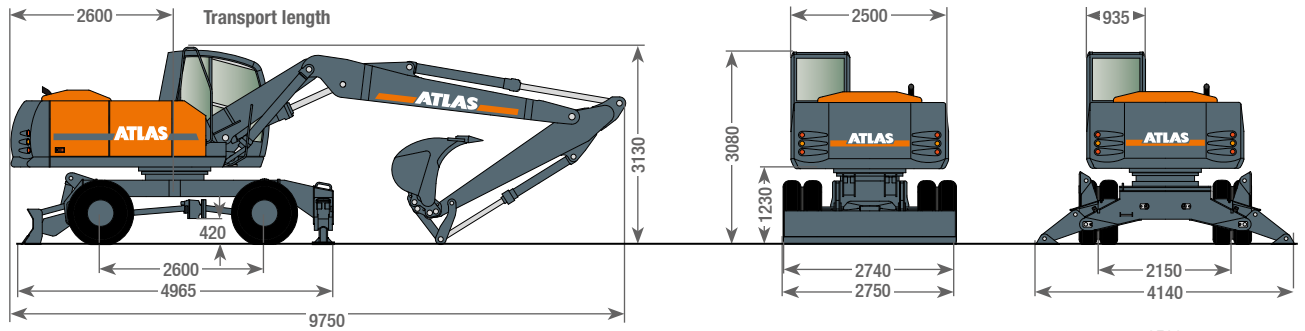
Adjustable boom: Base arm C23.41, boom 4,23 m (C25.46) with stick 2,65 m (D21.33). Max. reach 10,25 m

Height	3,0 m		4,0 m		5,0 m		5,5 m		6,0 m		6,5 m		7,0 m		7,5 m		8,0 m		8,5 m	
	LENGTHWISE	CROSSWISE	LENGTHWISE	CROSSWISE	LENGTHWISE	CROSSWISE	LENGTHWISE	CROSSWISE	LENGTHWISE	CROSSWISE	LENGTHWISE	CROSSWISE	LENGTHWISE	CROSSWISE	LENGTHWISE	CROSSWISE	LENGTHWISE	CROSSWISE	LENGTHWISE	CROSSWISE
9,0 m	supported	-	-	7714	-	-	-	-	-	-	-	-	-	-	-	-	-	-	-	-
7,5 m	supported	-	-	7714	-	-	-	-	-	-	-	-	-	-	-	-	-	-	-	-
6,0 m	supported	-	-	-	6904	6904	6904	6904	6696	6696	5074	5074	-	-	6610	6034*	5469	5332*	-	-
4,5 m	supported	-	-	-	6904	6084*	6875*	5277*	5981*	4550*	5074	3933*	-	-	6610	6034*	5469	5332*	-	-
3,0 m	supported	10337	10337	10261	10261	8653	8653	8100	8100	7589	7511*	7159	6684*	6865	6006	6625	5409*	6053	4814*	-
1,5 m	supported	-	-	12415	12415	10063	9650	9087	8374*	8381	7390*	7812	6600*	7346	5957*	6997	5396*	3741*	2837*	-
0 m	supported	12768	12768	13651	13564*	11628	9538*	10317	8289*	9328	7328*	8567	6562*	7976	5954*	7518	5311*	6991*	4741*	-
-1,5 m	supported	16594	16594	15432	13628	12692	9553*	11306	8314*	10172	7368*	9296	6616*	8437*	5818*	7684	5171*	6883*	4630*	-
-3,0 m	supported	21384	21384	16594	13842*	12808	9732*	11504	8395*	10444	7267*	9480*	6355*	8481*	5618*	7543*	5022	6794*	4544*	-
-4,5 m	supported	23481	22069*	16077	12443*	11184	8547*	-	-	-	-	-	-	-	-	-	-	-	-	-
	supported	16481*	10836*	9829*	6935*	6899*	5013*	-	-	-	-	-	-	-	-	-	-	-	-	-

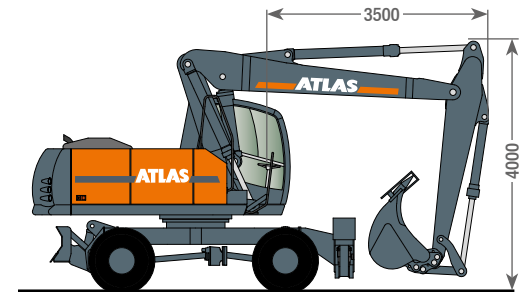
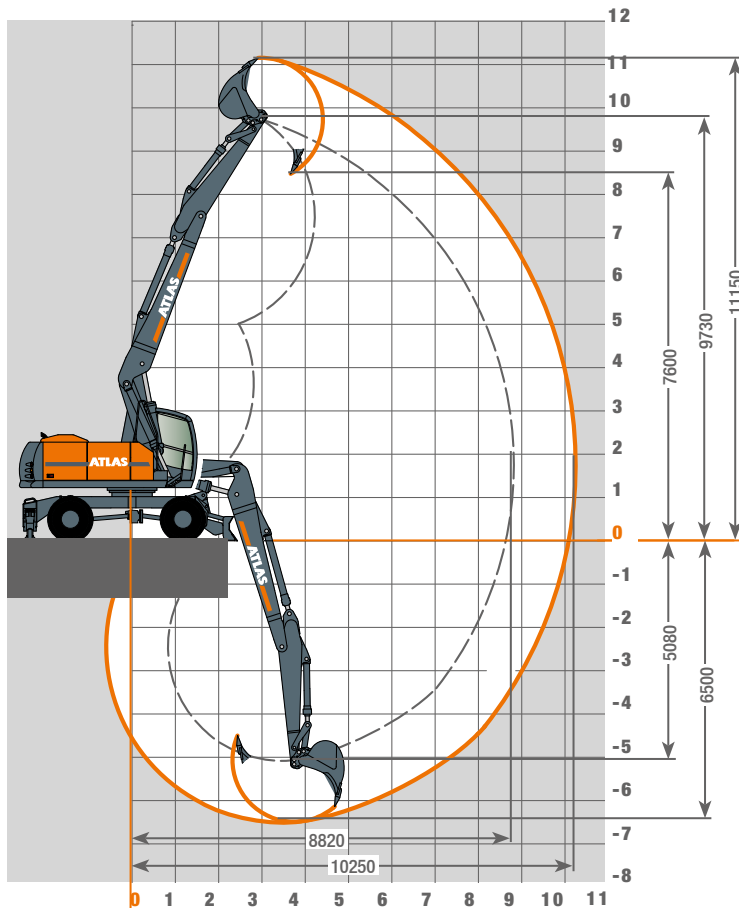
The given max capacity values in kilograms (kg) were determined acc. to ISO 10567 and include a stability factor of 33 % or 87% of the hydraulic lifting capacity. These values are applicable at the top of the arm (without bucket tipping cylinder and guide rod) with optimum positioning of the corresponding arm system and with power boost switched on. *Value limited due to hydraulics.

ATLAS

Dimensions Equipment: Base arm C23.41, boom 4,23 m (C25.46) with stick 2,65 m (D21.33)



Working ranges of adjustable boom



Roadtravel setup

Equipment

Stick D21.33 - Length 2650 mm

Equipment: A 23.33, C23.41, D21.33, F25.1A, F63.28

A	Max. digging height	mm	11150
B	Max. dumping height	mm	7600
C	Max. dumping height	mm	6500
D	Max. digging reach	mm	10250
	Max. digging reach at ground level	mm	10100
	Bucket digging force	kN	176
	Stick digging force	kN	110

www.atlasgmbh.com

ATLAS Maschinen GmbH

EXCAVATORS

Atlasstrasse 6

27777 Ganderkesee, Germany

T: +49 (0) 4222 954 0

F: +49 (0) 4222 954 343

info@atlasgmbh.com

220W-EN (1) Effective date: August 2010. Product specifications and prices are subject to change without notice or obligation. The photographs and/or drawings in this document are for illustrative purposes only. Refer to the appropriate Operator's Manual for instructions on the proper use of this equipment. Failure to follow the appropriate Operator's Manual when using our equipment or to otherwise act irresponsibly may result in serious injury or death. The only warranty applicable to our equipment is the standard written warranty applicable to the particular product and sale and Atlas makes no other warranty, express or implied. The only warranty applicable to our equipment is the standard written warranty applicable to the particular product and sale and Atlas makes no other warranty, express or implied. Products and services listed may be trademarks, service marks or trade-names of Atlas Maschinen GmbH and/or its subsidiaries. All rights are reserved. Atlas® is a registered trademark of Atlas Maschinen GmbH. Copyright © 2010 Atlas Maschinen GmbH.

Ref. no. 6141713