

# ATLAS

## Wheel Excavator 190W



-  18.9 - 20.8 t
-  116 kW (158 HP)
-  0.76 - 1.3 m<sup>3</sup>



STABLE. STRONG. STEADY.  
**190W**

## Technical data

### ENGINE

Power rating acc. to ISO 9249...116 kW (158 HP)	Displacement.....6700 cm <sup>3</sup>	Battery ..... 2 x 12 V / 100 Ah
RPM ..... 1800/min	Number of cylinders .....6	Generator ..... 24 V / 70 Ah
Make / model .....Cummins QSB 6.7 (Stage 3B)	Cooling system ..... Water-cooled	Starter..... 24 V / 3.2 kW
Design..... Turbocharger/charge-air cooling	Air filter.....Dry air filter	

### HYDRAULIC SYSTEM

• Load limit controlled high-performance pump	• Suction valves for all work functions	• Pipe break protection valves for lifting and articulated cylinders
• Dual-circuit hydraulic system	• Load-retaining and fine lowering valves in lifting circuit	• 2 additional circuits for additional consumer loads possible
• 7 consumer loads in one valve block equipped as standard	• Pump flow control	• Max. oil flow .....400 l/min
• Sensitive, proportional, independent control	• Proportional grab/grab rotating function	• Max. operating pressure .....340 (370)* bar
• Primary and secondary protection against overload	• Fuel-efficient flow-on-demand control	• Operating modes: 3 pre-programmed modes (Fine, Eco, Power)

### SWING ASSEMBLY

• Swing motor:	Axial piston motor with priority valve	• Max. swing speed .....11/min
• Swing gear:	Planetary transmission	• Swing torque ..... 63.2 kNm
• Swing brake:	Automatically controlled multi-disc brake	

### TRACTION DRIVE AND BRAKES

• Variable displacement motor	• Automotive drive and cruise control	• Tractive force.....91.8 kN
• Power-shift transmission	• Max. speed .....20 km/h	• Max. gradeability .....55 %
• Double-acting brake valve	• Off-road speed .....5 km/h	• Dual-circuit brake system ..... Multi-disc
• Travel direction pre-selection via buttons in joystick	• Crawling speed.....1 km/h	• Parking brake ..... Multi-disc

### UNDERCARRIAGE

• 40 tons special excavator axles	• 8 tires (twins) ..... 10.00 - 20
• Steering axle with automatic oscillating axle locking	

### FILL CAPACITIES

• Fuel tank .....389 litres	• Engine oil.....20 litres	• Hydraulic system.....290 litres
• Cooling system .....42 litres	• Hydraulic tank .....216 litres	

### DRIVER'S CAB

• Meets latest safety standards	<b>CONTROL:</b>	<b>CLIMATE CONTROL:</b>
• Extra large entry zone	• Ergonomic joysticks with proportional slide control	• Air conditioning equipped as standard
• Spacious leg room	• Slim steering column, height and tilt adjustable	• Excellent air distribution through optimally arranged nozzles
• Excellent circumferential visibility	• Indicators, controls and operating switches are clearly arranged	
• Preparation for radio installation with mute function		<b>SOUND LEVELS:</b>
<b>DRIVER'S SEAT:</b>	<b>MONITORING:</b>	• ISO 6396 (L <sub>pA</sub> ) in driver's cab ..... 74 dB(A)
• Air-cushioned comfort seat (seat heating optional)	• Operating data display screen	• 2000/14 EG (L <sub>wA</sub> ) ambience level 102 dB(A)
• Arm rests and lumbar support	• Automatic system for monitoring, warning and storage of data	
• Seat adjustable separately from console		

\* values when power boost switched on

## Working equipment

### OPERATING WEIGHTS

	MONOBLOCK BOOM 5.68 m (C21.3M)		ADJUSTABLE BOOM Base arm 1.95 m (C21.41) Boom 3.41 m (C21.46)	
	Stick 2.70 m (D21.2)	Stick 3.20 m (D21.3)	Stick 2.15 m (D21.23)	Stick 2.65 m (D21.33)
Support and dozer blade	18.9 t	18.9 t	19.2 t	19.2 t
SDB / outriggers	20.3 t	20.3 t	20.6 t	20.6 t
4 outriggers	20.5 t	20.5 t	20.8 t	20.8 t

Operating weight incl. driver, fuel, lubricants and coolant plus 1.0 ton for attachments

### EQUIPMENT

#### BASIC UNIT ATLAS 190W (can be combined)

- Wheel Excavator 190W with support and dozer blade and 2 lifting cylinders (A19.2)
  - Wheel Excavator 190W with 4x outrigger support and 2 lifting cylinders (A19.32)
  - Wheel Excavator 190W with support and dozer blade on rigid axle, 2x outrigger support on steering axle and 2 lifting cylinders (A19.33)
  - Wheel Excavator 190W with support and dozer blade on steering axle, 2x outrigger support on rigid axle and 2 lifting cylinders (A19.35)
- \* SDB = support and dozer blade

#### STANDARD EQUIPMENT:

#### Engine:

- Automatic idling system
- Diesel pre-filter
- Engine monitoring

- Bottle holder

- Rear area security camera with 5" LCD color monitor

- Slim steering column, height and tilt adjustable

- Seat can be adjusted separately from console

- Heat-absorbing glass, tinted windows
- Automotive drive and cruise control
- Operating data display screen

#### BOOMS:

- Monoblock boom with stick cylinder 5.68 m (C21.3M)
- Adjustable boom consisting of base arm 1.95 m (C21.41) with adjusting cylinder plus boom 3.41 m (C21.46) with stick cylinder

#### Hydraulic system:

- Proportional grab/grab rotating function
- Accumulator for emergency lowering of boom system
- Pipe break protection valves for lifting and articulated cylinders
- Max. load-limit control

#### EQUIPMENT:

- Joint bearings in stick and bucket cylinders
- Combined lubricating points for swing bearing and arm equipment
- Spacious and lockable storage space in superstructure

#### STICKS:

- Stick 2.70 m (D21.2) for monoblock boom
- Stick 3.20 m (D21.3) for monoblock boom
- Stick 2.15 m (D21.23) for adjustable boom
- Stick 2.65 m (D21.33) for adjustable boom

- Cylinder end position damping

#### Cab:

- Air-conditioning
- Radio preparation with mute function
- Ready for electric cooling box
- Different options for storage, compartment for documents

#### UNDERCARRIAGE:

- Power-shift transmission
- Wet disc brakes
- Toolbox in undercarriage

#### BUCKET TIPPING CYLINDER:

- Bucket tipping cylinder with bucket linkage (F64.1)

### ADDITIONAL EQUIPMENT

#### Engine:

- Refueling pump
- Engine speed adjustment via potentiometer
- Auxiliary heating
- Cold start assistance

#### Working equipment:

- Automatically controlled and monitored electric central lubrication system

- Alarm-signal while driving

- Head rest

- Proportional operating of supports by slide in joystick
- Electric cooling box

#### Cab:

- Cab protection guard
- Beacon light
- Heated driver's seat
- Radio CD/MP3, front AUX in, USB

#### Undercarriage:

- Wide axles (overall width 2750 mm)
- Wide dozer blade (2750 mm)
- High-speed version 30 km/h

#### Hydraulic system:

- Hydraulic kit, to operate front and rear supports separately
- Hydraulic kit, to operate supports per axle separately
- Biodegradable oil

- Cab elevation

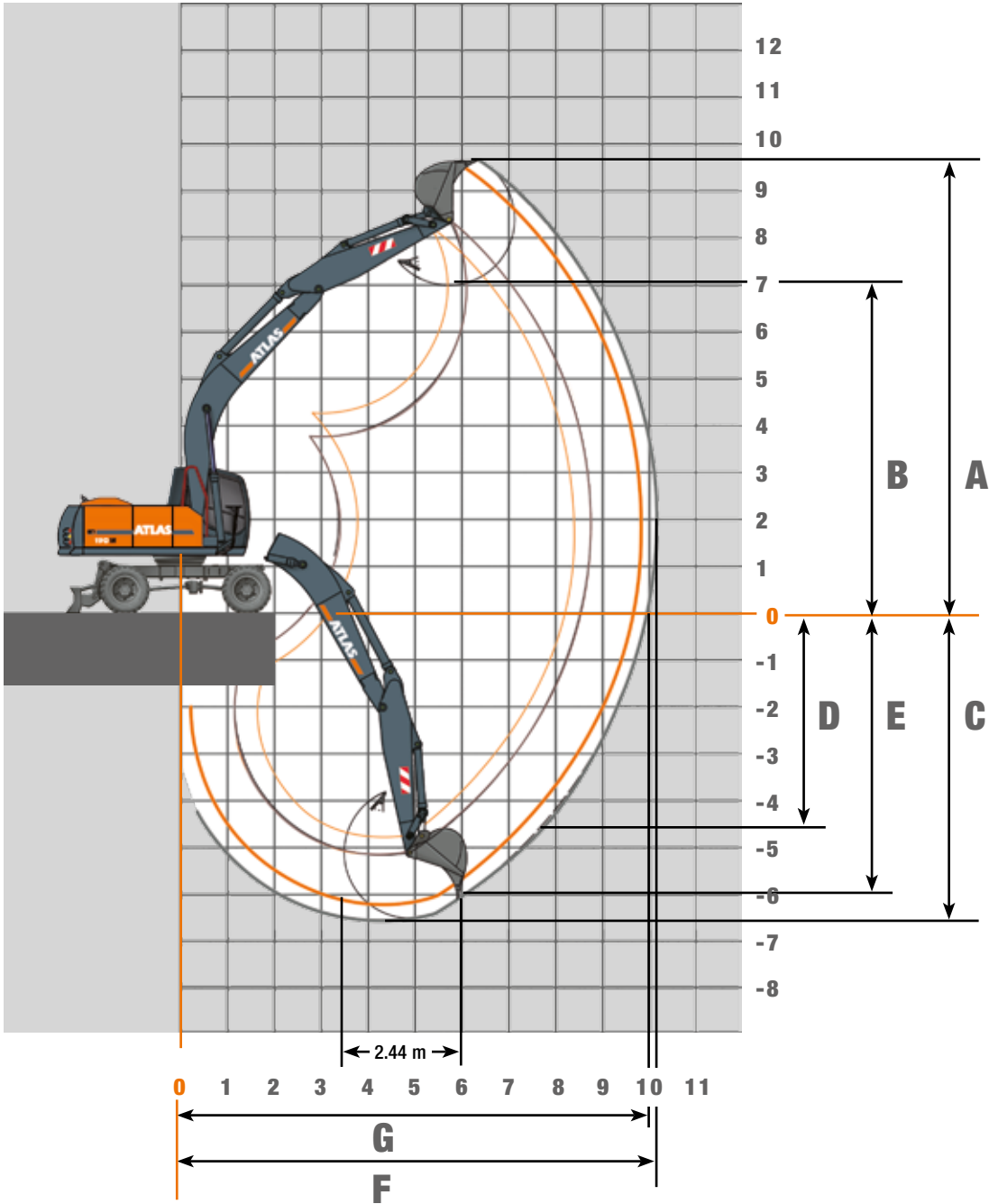
- GPS/GSM telemetric system for monitoring of operating data, consumption, position
- Xenon working lights

Further special equipment: See price list

### ATTACHMENTS (SELECTION)

	Bucket F415	Bucket F416	Bucket F417	Bucket F648
Capacity SAE	0.67 m <sup>3</sup>	0.82 m <sup>3</sup>	0.92 m <sup>3</sup>	1.12 m <sup>3</sup>
Cutting width	850 mm	1000 mm	1100 mm	1300 mm

## Working ranges Monoblock boom 5.68 m (C21.3M)



STICK LENGTHS	2.70 m (D21.2)	3.20 m (D21.3)
A Max. digging height	9.54 m	9.77 m
B Max. dumping height	6.83 m	7.06 m
C Max digging depth	6.21 m	6.71 m
D Max. vertical wall digging depth	4.20 m	4.65 m
E Max. digging depth of cut for 2.44 m level	5.45 m	6.00 m
F Max. digging reach	9.86 m	10.32 m
G Max. digging reach at ground level	9.30 m	10.10 m
Max. bucket digging force	132 kN	132 kN
Max. stick digging force	92 kN	82 kN

Unit is equipped with monoblock boom 5.68 m (C21.3M).

## Lifting capacities Monoblock boom 5.68 m (C21.3M)

### Lifting capacities Monoblock boom 5.68 m (C21.3M) and stick 2.70 m (D21.2). Max reach 9.86 m

Height	Undercarriage type	3.0 m		4.5 m		6.0 m		7.5 m	
		FRONT	LATERAL	FRONT	LATERAL	FRONT	LATERAL	FRONT	LATERAL
+7.5 m	SDB rear, raised					5,3	3,5		
	SDB rear, supported					6,4*	3,8		
	Outriggers rear/front, supported					6,4*	6,4*		
	SDB/outriggers supported					6,4*	5,9		
+6.0 m	SDB rear, raised					5,2	3,5		
	SDB rear, supported					6,6*	3,8		
	Outriggers rear/front, supported					6,6*	6,6*		
	SDB/outriggers supported					6,6*	5,9		
+4.5 m	SDB rear, raised			7,9	5,0	5,1	3,3	3,6	2,3
	SDB rear, supported			8,7*	5,6	7,2*	3,7	6,6*	2,6
	Outriggers rear/front, supported			8,7*	8,7*	7,2*	7,2*	5,4	5,2
	SDB/outriggers supported			8,7*	8,7*	7,2*	5,7	6,6*	4,1
+3.0 m	SDB rear, raised			7,3	4,5	4,8	3,1	3,5	2,2
	SDB rear, supported			10,9*	5,1	8,2*	3,4	6,7	2,5
	Outriggers rear/front, supported			11,0*	11,0*	7,5	7,1	5,3	5,0
	SDB/outriggers supported			11,0*	8,4	8,2*	5,5	7,0*	4,0
+1.5 m	SDB rear, raised			6,8	4,1	4,6	2,9	3,4	2,1
	SDB rear, supported			12,7*	4,6	9,2*	3,2	6,6	2,4
	Outriggers rear/front, supported			11,5	10,8	7,3	6,8	5,2	4,9
	SDB/outriggers supported			12,7*	7,9	9,2*	5,2	6,8	3,8
+0 m	SDB rear, raised			6,6	3,9	4,4	2,7	3,3	2,0
	SDB rear, supported			13,3*	4,4	9,3	3,1	6,5	2,3
	Outriggers rear/front, supported			11,3	10,5	7,1	6,7	5,1	4,8
	SDB/outriggers supported			13,3*	7,7	9,6*	5,1	6,7	3,8
-1.5 m	SDB rear, raised	8,9*	7,1	6,6	3,9	4,4	2,7	3,3	2,0
	SDB rear, supported	8,9*	8,2	12,8*	4,4	9,2	3,0	6,5	2,3
	Outriggers rear/front, supported	8,9*	8,9*	11,3	10,5	7,0	6,6	5,1	4,8
	SDB/outriggers supported	8,9*	8,9*	12,8*	7,7	9,5*	5,0	6,7	3,8
-3.0 m	SDB rear, raised	13,6	7,2	6,7	4,0	4,5	2,8		
	SDB rear, supported	15,5*	8,4	11,4*	4,5	8,5*	3,1		
	Outriggers rear/front, supported	15,5*	15,5*	11,4*	10,7	7,1	6,7		
	SDB/outriggers supported	15,5*	15,5*	11,4*	7,8	8,5*	5,1		
-4.5 m	SDB rear, raised			7,0	4,2				
	SDB rear, supported			8,2*	4,8				
	Outriggers rear/front, supported			8,2*	8,2*				
	SDB/outriggers supported			8,2*	8,1				

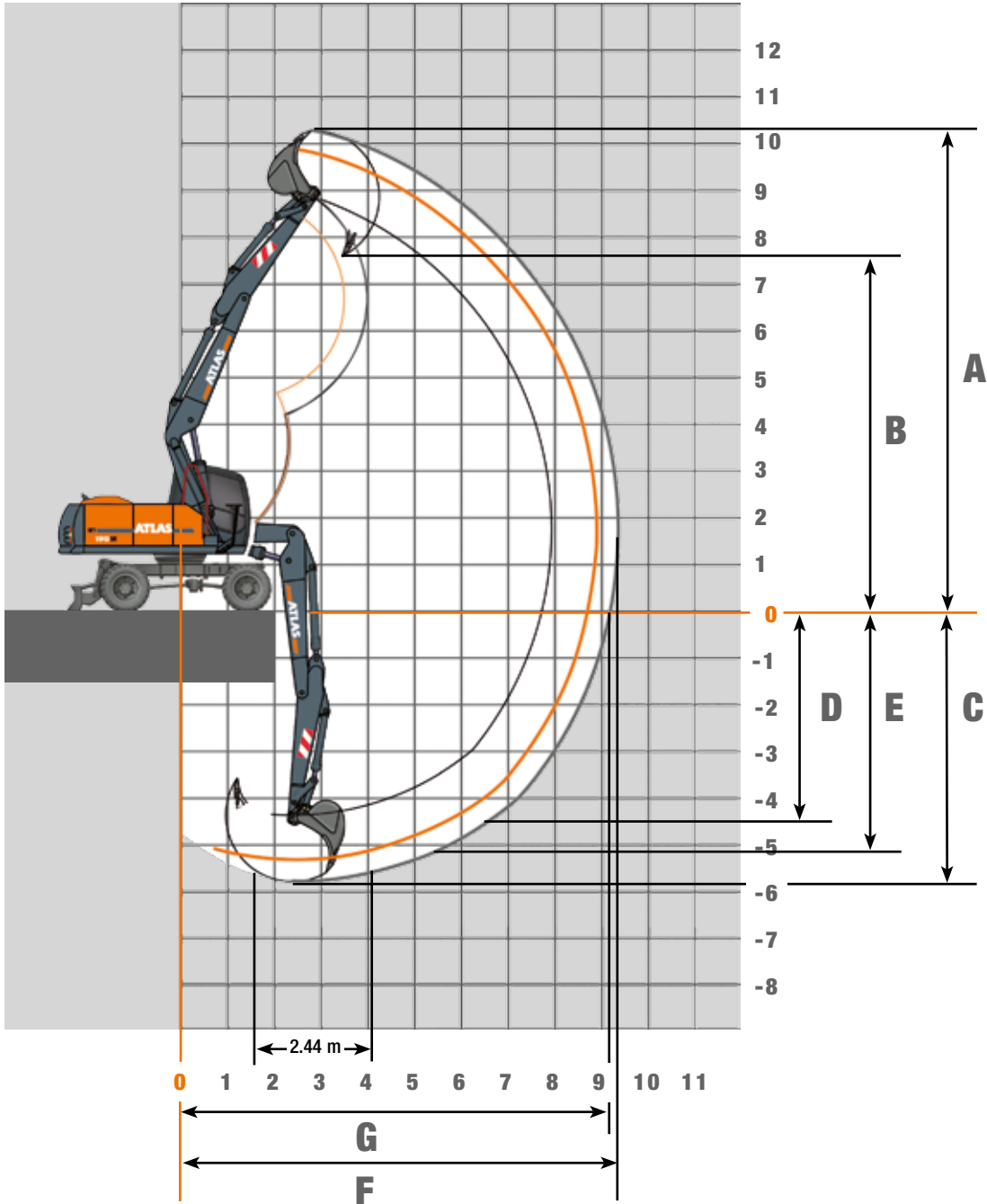
### Lifting capacities Monoblock boom 5.68 m (C21.3M) and stick 3.20 m (D21.3). Max reach 10.32 m

Height	Undercarriage type	3.0 m		4.5 m		6.0 m		7.5 m	
		FRONT	LATERAL	FRONT	LATERAL	FRONT	LATERAL	FRONT	LATERAL
+7.5 m	SDB rear, raised								
	SDB rear, supported								
	Outriggers rear/front, supported								
	SDB/outriggers supported								
+6.0 m	SDB rear, raised							3,4	2,2
	SDB rear, supported							6,1*	2,5
	Outriggers rear/front, supported							5,3*	5,0
	SDB/outriggers supported							5,3*	4,1
+4.5 m	SDB rear, raised					4,8	3,1	3,3	2,2
	SDB rear, supported					6,1*	3,4	5,5*	2,4
	Outriggers rear/front, supported					6,1*	6,1*	5,2	4,9
	SDB/outriggers supported					6,0*	5,7	5,3*	4,1
+3.0 m	SDB rear, raised			7,0	4,2	4,5	2,9	3,2	2,0
	SDB rear, supported			9,1*	4,8	7,0*	3,2	5,9*	2,3
	Outriggers rear/front, supported			9,1*	9,1*	7,0	6,8	5,0	4,8
	SDB/outriggers supported			9,1*	8,5	7,0*	5,5	5,1*	3,9
+1.5 m	SDB rear, raised			6,3	3,7	4,2	2,6	3,1	1,9
	SDB rear, supported			10,9*	4,2	7,9*	2,9	6,1	2,1
	Outriggers rear/front, supported			10,9	10,2	6,9	6,5	4,9	4,5
	SDB/outriggers supported			10,9*	7,9	6,9*	5,2	5,0	3,8
+0 m	SDB rear, raised			6,0	3,5	4,0	2,4	3,0	1,9
	SDB rear, supported			11,7*	4,0	8,5	2,7	6,0	2,1
	Outriggers rear/front, supported			10,6	9,8	6,9	6,3	4,9	4,5
	SDB/outriggers supported			10,6*	7,5	6,7*	5,0	4,8	3,6
-1.5 m	SDB rear, raised			6,0	3,4	4,0	2,3	3,0	1,8
	SDB rear, supported			11,6*	3,9	8,5	2,6	6,0	2,0
	Outriggers rear/front, supported			10,5	9,8	6,6	6,2	4,8	4,5
	SDB/outriggers supported			10,5*	7,5	6,6	4,9	4,8	3,6
-3.0 m	SDB rear, raised	12,2	6,3	6,0	3,4	4,0	2,4		
	SDB rear, supported	13,7*	7,3	10,7*	4,0	8,0*	2,7		
	Outriggers rear/front, supported	13,8*	13,8*	10,6	9,8	6,6	6,2		
	SDB/outriggers supported	13,8*	13,8*	10,7*	6,6	4,9*	4,9		
-4.5 m	SDB rear, raised	11,6*	6,6	6,3	3,7	4,2	2,6		
	SDB rear, supported	11,6*	7,7	8,5*	4,2	5,9*	2,9		
	Outriggers rear/front, supported	11,6*	11,6*	8,5*	8,5*	5,9*	6,9*		
	SDB/outriggers supported	11,6*	11,6*	8,5*	7,8	5,9*	5,1		

All values in kilograms (kg) were determined acc. to ISO 10567 and include a stability factor of 1.33 or 87% of the hydraulic lifting capacity. These values are applicable at the top of the arm with optimum positioning of the corresponding arm system and with power boost switched on. \*Value limited due to hydraulics.



## Working ranges Adjustable boom: Base arm 1.95 m (C21.41) and boom 3.41 m (C21.46)



STICK LENGTHS	2.15 m (D21.23)	2.65 m (D21.33)
A Max. digging height	9.90 m	10.30 m
B Max. dumping height	7.20 m	7.60 m
C Max digging depth	5.30 m	5.80 m
D Max. vertical wall digging depth	3.40 m	4.45 m
E Max. digging depth of cut for 2.44 m level	5.05 m	5.60 m
F Max. digging reach	8.90 m	9.30 m
G Max. digging reach at ground level	8.50 m	9.15 m
Max. bucket digging force	125 kN	118 kN
Max. stick digging force	98 kN	84 kN

Unit is equipped with standard adjustable boom: base arm 1.95 m (C21.41) and boom 3.41 m (C21.46).

## Lifting capacities Adjustable boom: Base arm 1.95 m (C21.41) and boom 3.41 m (C21.46)

### Lifting capacities Adjustable boom: Base arm 1.95 m (C21.41) and boom 3.41 m (C21.46) with stick 2.15 m (D21.23). Max reach 8.90 m

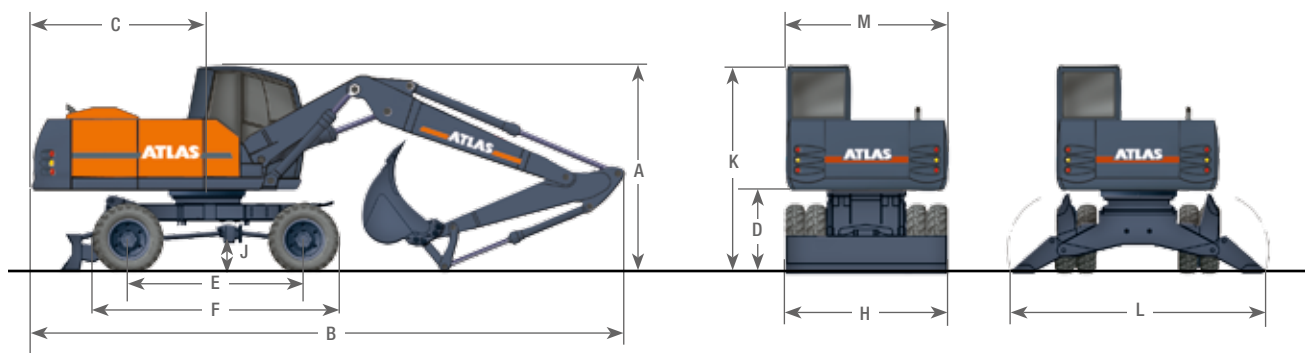
Height	Undercarriage type	3.0 m		4.5 m		6.0 m		7.5 m	
		FRONT	LATERAL	FRONT	LATERAL	FRONT	LATERAL	FRONT	LATERAL
+7.5 m	SDB rear, raised			6,3*	5,3				
	SDB rear, supported			6,3*	5,9				
	Outriggers rear/front, supported			6,3*	6,3*				
	SDB/outriggers supported			6,3*	6,3*				
+6.0 m	SDB rear, raised			6,2*	5,5	5,2	3,4		
	SDB rear, supported			6,2*	6,0	5,8*	3,8		
	Outriggers rear/front, supported			6,2*	6,2*	5,8*	5,8*		
	SDB/outriggers supported			6,2*	6,2*	5,8*	5,8*		
+4.5 m	SDB rear, raised	9,4*	9,4*	7,0*	5,4	5,3	3,5		
	SDB rear, supported	9,4*	9,4*	7,0*	5,9	6,1*	3,9		
	Outriggers rear/front, supported	9,4*	9,4*	7,0*	7,0*	6,1*	6,1*		
	SDB/outriggers supported	9,4*	9,4*	7,0*	7,0*	6,1*	5,9		
+3.0 m	SDB rear, raised	10,1*	9,1	7,8	5,3	5,2	3,5		
	SDB rear, supported	10,1*	10,1*	8,6*	5,8*	6,7*	3,9		
	Outriggers rear/front, supported	10,1*	10,1*	8,6*	8,6*	6,7*	6,7*		
	SDB/outriggers supported	10,1*	10,1*	8,6*	8,6*	6,7*	5,9		
+1.5 m	SDB rear, raised	13,1*	9,0	7,7	5,2	5,2	3,4	3,5	2,3
	SDB rear, supported	13,1*	10,1	10,0*	5,7	7,3*	3,8	4,8*	2,5
	Outriggers rear/front, supported	13,1*	13,1*	10,0*	10,0*	7,3*	7,2	4,8*	4,8*
	SDB/outriggers supported	13,1*	13,1*	10,0*	8,7*	7,3*	5,9	4,8*	4,0
+0 m	SDB rear, raised	14,9	8,9	7,8	5,1	5,0	3,2		
	SDB rear, supported	15,9*	10,1	10,4*	5,6	7,5*	3,6		
	Outriggers rear/front, supported	15,9*	15,9*	10,4*	10,4*	7,5	7,2		
	SDB/outriggers supported	15,9*	15,9*	10,4*	8,8	7,5*	5,7		
-1.5 m	SDB rear, raised	15,2	8,5	7,6	4,8	4,8	3,1		
	SDB rear, supported	17,0*	9,7	10,5*	5,3	7,5*	3,4		
	Outriggers rear/front, supported	17,0*	17,0*	10,5*	10,5*	7,5*	7,1		
	SDB/outriggers supported	17,0*	17,0*	10,5*	8,8	7,5*	5,5		
-3.0 m	SDB rear, raised	14,9	8,3	7,4	4,5				
	SDB rear, supported	17,2*	9,5	9,9*	5,1				
	Outriggers rear/front, supported	17,2*	17,2*	9,9*	9,9*				
	SDB/outriggers supported	17,2*	17,2*	9,9*	8,5				
-4.5 m	SDB rear, raised								
	SDB rear, supported								
	Outriggers rear/front, supported								
	SDB/outriggers supported								

### Lifting capacities Adjustable boom: Base arm 1.95 m (C21.41) and boom 3.41 m (C21.46) with stick 2.65 m (D21.33). Max reach 9.30 m

Height	Undercarriage type	3.0 m		4.5 m		6.0 m		7.5 m	
		FRONT	LATERAL	FRONT	LATERAL	FRONT	LATERAL	FRONT	LATERAL
+7.5 m	SDB rear, raised								
	SDB rear, supported								
	Outriggers rear/front, supported								
	SDB/outriggers supported								
+6.0 m	SDB rear, raised			5,7*	5,5				
	SDB rear, supported			5,7*	5,7*				
	Outriggers rear/front, supported			5,7*	5,7*				
	SDB/outriggers supported			5,7*	5,7*				
+4.5 m	SDB rear, raised			5,5*	5,5*	5,3	3,6		
	SDB rear, supported			5,5*	5,5*	5,4*	4,0		
	Outriggers rear/front, supported			5,5*	5,5*	5,4*	5,4*		
	SDB/outriggers supported			5,5*	5,5*	5,4*	5,4*		
+3.0 m	SDB rear, raised	6,8*	6,8*	6,4*	5,4	5,3	3,7*	3,1*	2,4
	SDB rear, supported	6,8*	6,8*	6,4*	6,0*	5,7*	4,0	3,1*	3,1*
	Outriggers rear/front, supported	6,8*	6,8*	6,4*	6,4*	5,7*	5,7*	3,1*	3,1*
	SDB/outriggers supported	6,8*	6,8*	6,4*	6,4*	5,7*	5,7*		
+1.5 m	SDB rear, raised	10,1*	9,2	7,8	5,3	5,2	3,6	3,7	2,4
	SDB rear, supported	10,1*	10,1*	8,0*	5,8*	6,3*	4,0	5,5*	2,7
	Outriggers rear/front, supported	10,2*	10,2*	8,0*	8,0*	6,3*	6,3*	5,5*	5,3
	SDB/outriggers supported	10,2*	10,2*	8,0*	8,0*	6,3*	5,8	5,5*	4,2
+0 m	SDB rear, raised	12,9*	9,0*	7,7	5,2	5,2	3,6	3,6	2,4
	SDB rear, supported	12,9*	10,1	9,6*	5,7	7,0*	3,9	5,5	2,6
	Outriggers rear/front, supported	12,9*	12,9*	9,6*	9,6*	7,0*	7,0*	5,8*	5,2
	SDB/outriggers supported	12,9*	12,9*	9,6*	8,7	7,0*	5,8	5,8*	4,1
-1.5 m	SDB rear, raised	14,7	9,0	7,7	5,2	5,1	3,4	3,5	2,3
	SDB rear, supported	15,2*	10,1	10,3*	5,7	7,4*	3,7	5,8*	2,5
	Outriggers rear/front, supported	15,2*	15,2*	10,3*	10,3*	7,4*	7,2	5,4	5,1
	SDB/outriggers supported	15,2*	15,2*	10,3*	8,7	7,4*	5,8	5,8*	4,0
-3.0 m	SDB rear, raised	15,0	8,6	7,8	4,9	4,9	3,1		
	SDB rear, supported	16,8*	9,8	10,4*	5,4	7,6*	3,5		
	Outriggers rear/front, supported	16,8*	16,8*	10,4*	10,4*	7,6*	7,2		
	SDB/outriggers supported	16,8*	16,8*	10,4*	8,9	7,6*	5,6		
-4.5 m	SDB rear, raised	15,1	8,4	7,4	4,6	4,8	3,0		
	SDB rear, supported	17,4*	9,6	10,6*	5,1	6,4*	3,4		
	Outriggers rear/front, supported	17,4*	17,4*	10,6*	10,6*	6,3*	6,3*		
	SDB/outriggers supported	17,4*	17,4*	10,6*	8,6	6,3*	5,5		

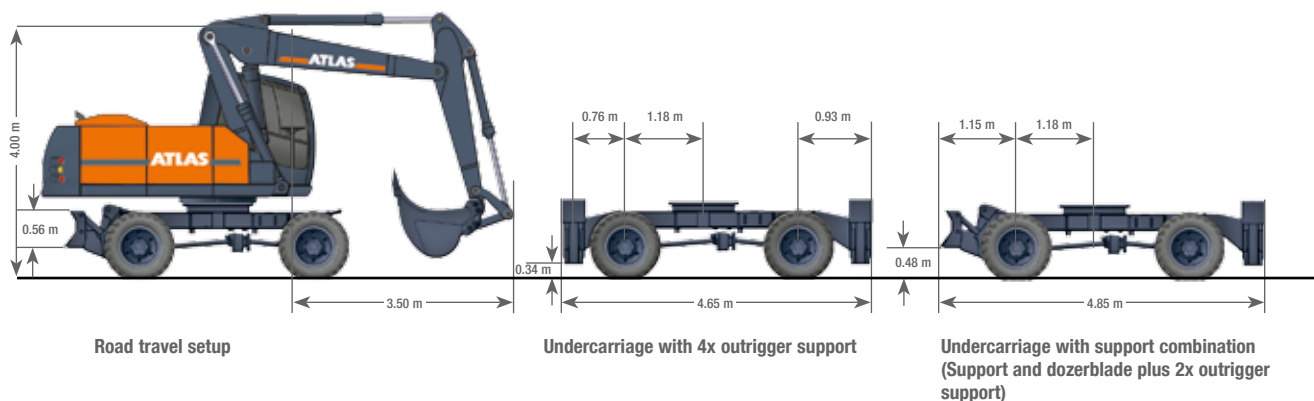
All values in kilograms (kg) were determined acc. to ISO 10567 and include a stability factor of 1.33 or 87% of the hydraulic lifting capacity. These values are applicable at the top of the arm with optimum positioning of the corresponding arm system and with power boost switched on. \*Value limited due to hydraulics.

## Dimensions



<b>A</b>	<b>TRANSPORT HEIGHT (with bucket)</b>		<b>C</b>	<b>TAIL SWING RADIUS</b> .....	2.60 m
	Adjustable boom* with stick 2.15 m .....	3.15 m	<b>D</b>	<b>CLEARANCE UNDER COUNTERWEIGHT</b> .....	1.23 m
	Adjustable boom* with stick 2.65 m .....	3.15 m	<b>E</b>	<b>WHEEL BASE</b> .....	2.60 m
	Monoblock boom 4.32 m with stick 2.15 m.....	3.15 m	<b>F</b>	<b>UNDERCARRIAGE LENGTH</b> .....	4.27 m
	Monoblock boom 4.32 m with stick 2.65 m.....	3.15 m	<b>H</b>	<b>DOZER BLADE WIDTH</b> .....	2.49 m
<b>B</b>	<b>TRANSPORT LENGTH</b>		<b>J</b>	<b>GROUND CLEARANCE</b> .....	0.42 m
	Adjustable boom* with stick 2.15 m .....	8.91 m	<b>K</b>	<b>OVERALL HEIGHT OF CAB</b> .....	3.08 m
	Adjustable boom* with stick 2.65 m .....	8.95 m	<b>L</b>	<b>OUTRIGGERS WIDTH (extended)</b> .....	3.88 m
	Monoblock boom 4.32 m with stick 2.15 m.....	9.52 m	<b>M</b>	<b>OVERALL WIDTH OF SUPERSTRUCTURE</b> .....	2.49 m
	Monoblock boom 4.32 m with stick 2.65 m.....	9.56 m			

\* Adjustable boom: Base arm 1.95 m (C21.41) and boom 3.41 m (C21.46)



[www.atlasgmbh.com](http://www.atlasgmbh.com)

**ATLAS Maschinen GmbH**  
 EXCAVATORS  
 Atlasstrasse 6  
 27777 Ganderkesee, Germany  
 T: +49 (0) 4222 954 0  
 F: +49 (0) 4222 954 343  
 info@atlasgmbh.com

190W-EN (1) Effective date: August 2010. Product specifications and prices are subject to change without notice or obligation. The photographs and/or drawings in this document are for illustrative purposes only. Refer to the appropriate Operator's Manual for instructions on the proper use of this equipment. Failure to follow the appropriate Operator's Manual when using our equipment or to otherwise act irresponsibly may result in serious injury or death. The only warranty applicable to our equipment is the standard written warranty applicable to the particular product and sale and Atlas makes no other warranty, express or implied. The only warranty applicable to our equipment is the standard written warranty applicable to the particular product and sale and Atlas makes no other warranty, express or implied. Products and services listed may be trademarks, service marks or trade-names of Atlas Maschinen GmbH and/or its subsidiaries. All rights are reserved. Atlas® is a registered trademark of Atlas Maschinen GmbH. Copyright © 2010 Atlas Maschinen GmbH.